

# Aeras Ramvac

## AERAS COMPRESSOR SITE INFORMATION

### PLACEMENT

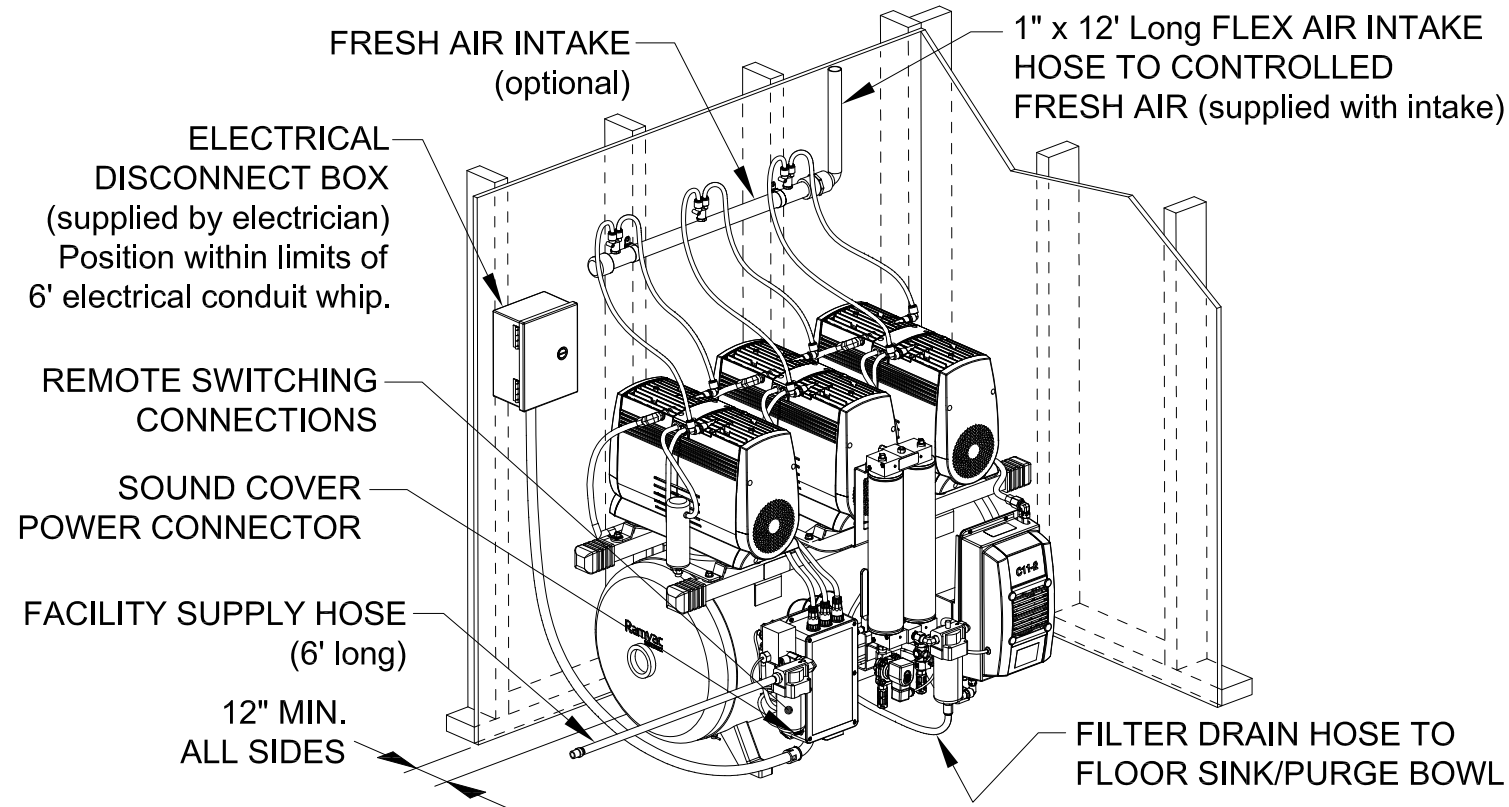
- Indoor use only, in a dust free room.
- Ventilation required for room to remain between 32° to 100°F (0° to 38°C). Forced air & HVAC must be used, in addition, if ambient temperatures do not fall into this range
- Do not install on surfaces with more than a 5° incline.

### ELECTRICAL

- It is recommended that this equipment be installed by a licensed electrical contractor only and must comply with local and national electrical codes.
- Install a dedicated electrical circuit of sufficient capacity (See Specification table).
- Any means provided to isolate this device from the supply mains shall isolate all poles simultaneously. The disconnection means and overcurrent protection are to be provided by the installer. This device should always be attached to a dedicated circuit with appropriate wiring and circuit protection.

### PLUMBING

- It is recommended that this equipment be installed by a licensed plumbing contractor only and must comply with local and national plumbing codes.
- Connect Drain Hose to fitting on bottom of coalescing filter and direct it into floor drain/purge bowl for disposal of water.
- Connect compressor air outlet to facility plumbing with provided Supply Hose (3/8" mpt x 3/8" mpt x 6 ft long).
- Connect Fresh Air Manifold to controlled fresh air source.
- Connect only equipment suitable for listed maximum pressure of the compressor.

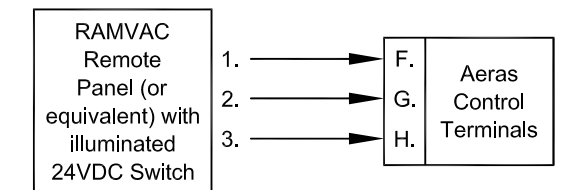


SPECIFICATIONS								
MODEL	AERAS 3 (C3-2)	AERAS 3 (C3-12)	AERAS 4 (C4-1)	AERAS 4 (C4-2)	AERAS 4 (C4-12)	AERAS 6 (C6-2)	AERAS 7 (C7-2)	AERAS 11 (C11-2)
MAX USERS	3	3	4	4	4	6	7	11
VOLTAGE (AC)	230 (208-253)	115/230	115 (103-126)	230 (208-253)	115/230	230 (208-253)	230 (208-253)	230 (208-253)
POWER CONSUMPTION	10.5 amps	12/6.1 amps	23 amps	11.5 amps	17.6/9 amps	16.3 amps	21 amps	32 amps
BREAKER SIZE	20 amp	15/15 amp	30 amp	20 amp	20/15 amp	20 amp	30 amp	40 amp
FUSETRON SIZE	FRN 15	FRN 15/10	FRN 25	FRN 15	FRN 20/15	FRN 20	FRN 25	FRN 40
MOTOR PER UNIT	1	2	2	2	3	2	2	3
HP PER MOTOR	2	.50	1.25	1.25	.50	(L) 1.25, (R) 2	2	2
WEIGHT	160 lbs	136 lbs	190 lbs	190 lbs	149 lbs	250 lbs	260 lbs	385 lbs
DIMENSIONS (W x D x H)	29"x21"x29"	30"x21"x26"	29"x21"x29"	29"x21"x29"	30"x21"x26"	35"x25"x30"	35"x25"x30"	41"x29"x32"
(with Sound Cover)	33.3"x29"x34"	N/A	33.3"x29"x34"	33.3"x29"x34"	N/A	35"x29"x34"	35"x29"x34"	41.1"x33"x36"
(with Sound Shield)	N/A	30"x20"x26"	N/A	N/A	30"x20"x26"	N/A	N/A	N/A
PUMP UP CYCLE TIME 85 to 115 PSI (Sec)	45	60	45	45	45	45	40	40
TANK SIZE	12 gallon	12 gallon	12 gallon	12 gallon	12 gallon	20 gallon	20 gallon	30 gallon
dBA LEVELS	65/73	N/A	70/78	70/78	N/A	72/80	76/82	78/84
(with/without Sound Cover)	N/A	63/67	N/A	N/A	66/70	N/A	N/A	N/A
(with/without Sound Shield)								
BTU/HR (heat released to room)	1762	1820	1963	1963	2725	2343	2815	4522
OPERATING PRESSURES	85 PSI/586 kPa to 115 PSI/793 kPa with ±2% Total Error Band							
HIGH PRESSURE MODE*	105 PSI/724 kPa to 125 PSI/862 kPa							
NOTES:	*High-pressure mode should only be used with a compatible milling machine; not for use in general dentistry.							

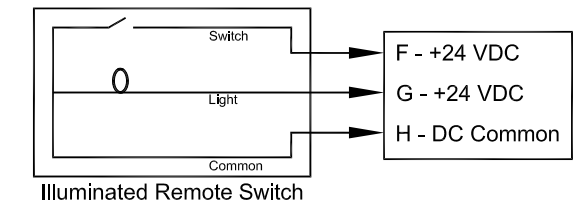
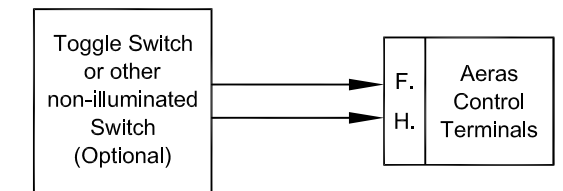
### REMOTE SWITCHING

- Maximum wire length for low voltage 18 gauge wire is 500 feet.

#### Recommended Switching



#### Alternative Switching



**THIS SHEET IS NOT INTENDED TO REPLACE THE INFORMATION FOUND IN THE INSTALLATION MANUALS. REFERENCE MANUALS FOR FULL INSTALLATION, SAFETY AND PRECAUTIONS.**

**Ramvac**  
DENTALEZ

7565-057B  
MARCH, 2022