

STEP 4: Using a product labeled as a cleaner (or a solution of mild dish soap/warm water) applied to a wipe or soft paper towel, clean contact surfaces and remove visible soil/debris and contaminants from canister body and cover.

STEP 5: Disinfect canister body and cover using an intermediate-level EPA-registered disinfectant (excluding chlorine-based products) with the intended use in healthcare facilities and adhere to manufacturer's instruction for use. After the minimum disinfectant contact time (dwell) per manufacturer's instruction for use, remove disinfectant residue with a solution of mild dish soap/warm water and wipe dry.

STEP 6: Replace disposable trap and tighten canister cover counter clockwise.

MAINTENANCE

At least once weekly, apply a small amount of provided lubricant to the o-rings on the spool assembly, quick-disconnect base and HVE tip after sterilization to allow spool to move freely and prevent premature aging of o-rings.

RESOURCES

The Centers for Disease Control and Prevention's (CDC) recommendations for the cleaning, disinfection, and sterilization of dental equipment can be found at: www.cdc.gov

Guidelines for Infection Control in Dental Health Care Settings

Guidelines for Disinfection and Sterilization in Healthcare Facilities

Summary of Infection Prevention Practices in Dental Settings

The American Dental Association's recommendations can be found at: www.ada.org

The Organization for Safety and Asepsis Procedures recommendations can be found at: www.osap.org

FDA Guidelines for Dental Unit Water Line Maintenance can be found at: www.fda.gov

Forest DENTALEZ



Refer to Forest™ General Information Operator's Guide for Glossary of Symbols, Terms, EMC/Electrical Safety Declaration and User Guidance.

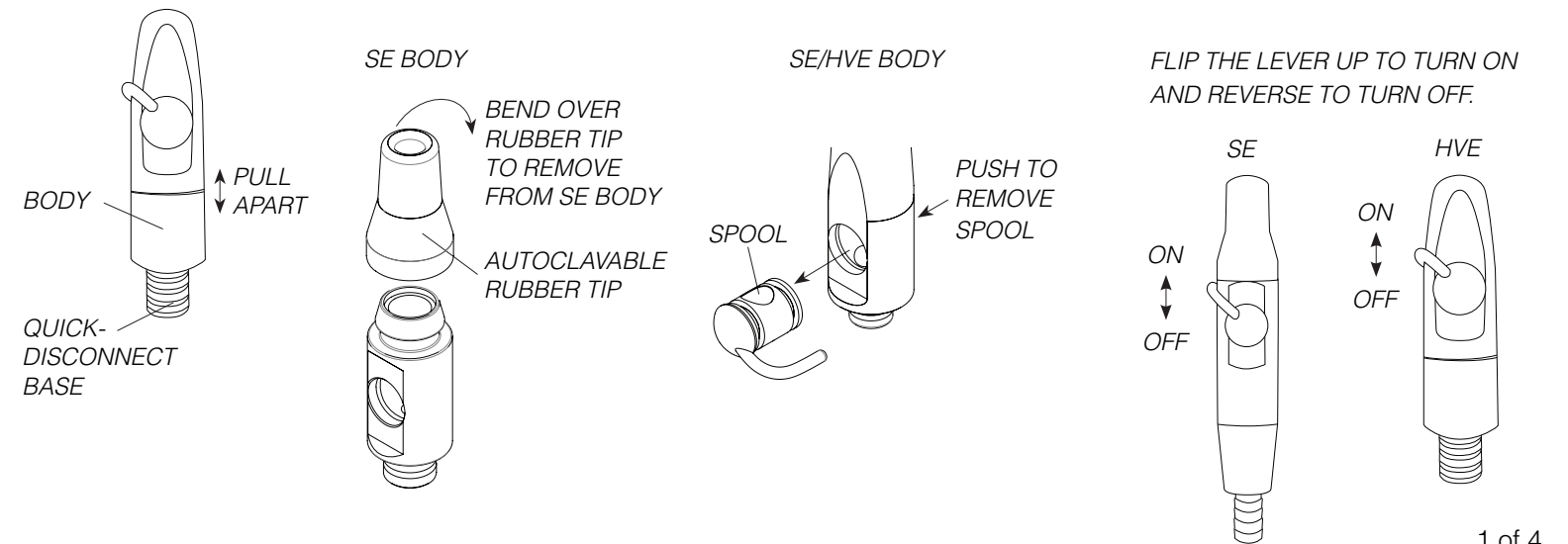
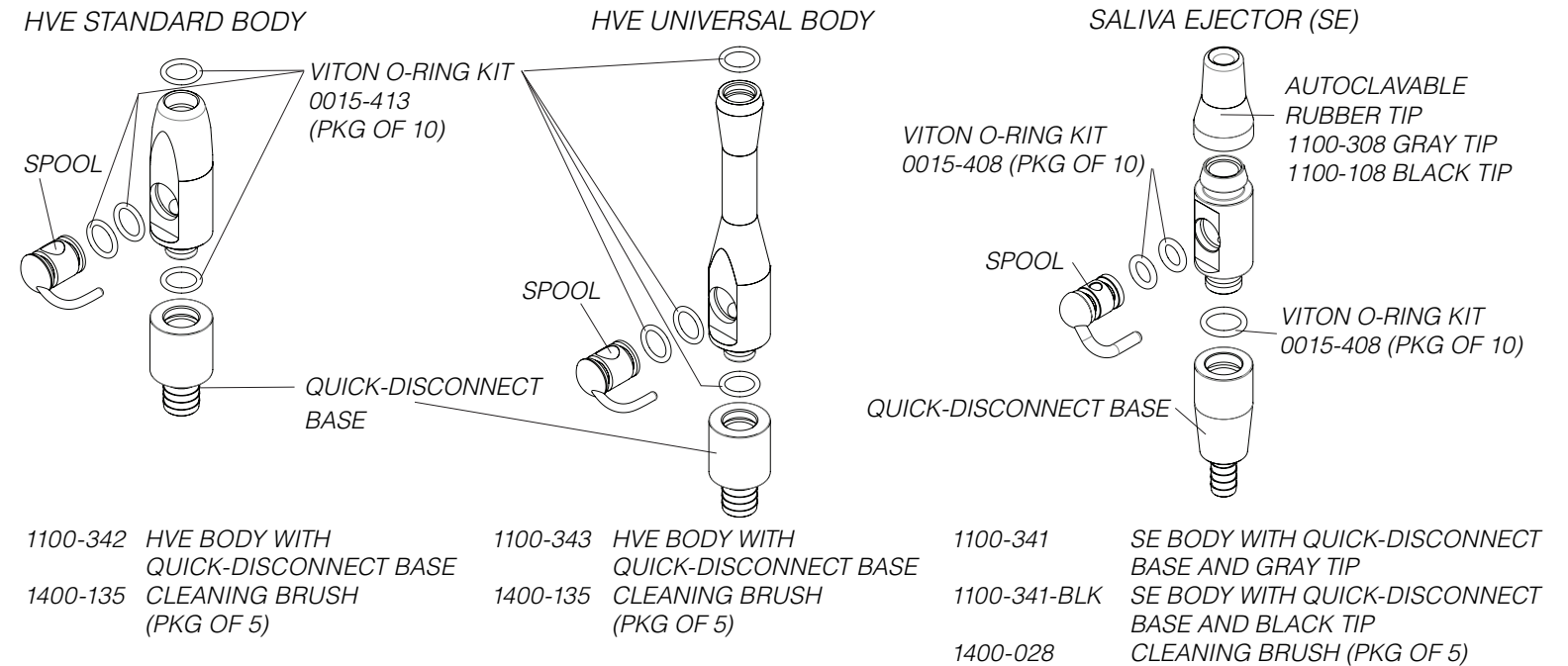
OPERATION AND DISASSEMBLY

The High Volume Evacuator (HVE) and Saliva Ejector (SE) is a high volume wet suction system powered by a dental unit to evacuate waste from the oral cavity.

INDICATIONS FOR USE/INTENDED USE The dental units are intended to serve as a base for ancillary dental devices and accessories by providing air, water, vacuum, and low voltage electrical power to hand-held dental instruments. The dental units are intended for use by dental practitioners to provide diagnostic and therapeutic treatment to dental patients in a clinical environment. There are no contraindications for this product.

WARNING: Allowed cannula (extraction tip) requirement HVE: OD 0.437" +_ .005 (7/16"), SE: OD 0.250" _ .005 (1/4"). Refer to Forest Delivery System Operator's Guide for all relevant vacuum specifications.

WARNING: The enclosed cleaning brush spine may have a sharp tip which could cause injury. Use caution when handling the brushes and cleaning parts.



HVE AND SALIVA EJECTOR (SE)

⚠ WARNING: Always instruct patients to keep mouth open during evacuation procedures. Closing lips around HVE/SE disposable extraction tip can reduce vacuum force and allow biocontamination from the device to enter the patient's mouth.

⚠ WARNING: Always wear gloves when handling contaminated components of the dental unit including used barrier protection and while cleaning, disinfecting and sterilizing clinical contact surfaces. Be sure to change gloves after handling contaminated material or devices.

⚠ WARNING: Forest™ HVE/SE assemblies (excluding disposable extraction tip) must be operated with FDA-cleared barrier protection (FDA Product Code: PEM) during a procedure following Forest's instruction for use; extraction tips must be disposed of between patients.

⚠ WARNING: Even with the use of barrier protection, daily clean and then disinfect clinical contact surfaces with an intermediate-level EPA-registered disinfectant (excluding chlorine-based products) with the intended use in healthcare facilities and adhere to manufacturer's instruction for use.

⚠ WARNING: Always consult the instruction for use and the Safety Data Sheet (SDS) of the disinfectant manufacturer to be aware of any hazards.

⚠ WARNING: Follow all local, State and Federal regulations for proper infection control. The Centers for Disease Control and Prevention's recommendations for the cleaning, disinfection, and sterilization of dental equipment: Visit www.cdc.gov "Guidelines for Infection Control in Dental Health-Care Settings — 2003" and "Summary of Infection Prevention Practices in Dental Settings" as well as The American Dental Association's recommendations can be found at: www.ada.org.

⚠ CAUTION: Disinfectant products should not be used as cleaners unless the label indicates the product is suitable for such use. Ensure the intermediate-level disinfectant product is compatible with the surfaces to which it is being applied. With any disinfectant, daily cleaning with mild dish soap/warmwater and wiping dry is required to minimize the harmful effects of chemical disinfectant residues.

⚠ CAUTION: Forest makes no warranty, expressed or implied, that the use of disinfectants will not damage the surface finish of the equipment. Damage and discoloration of the surface finishes due to chemical disinfection is not covered under warranty.

⚠ CAUTION: Do not use powdered cleansers or abrasive scrubbers on any dental unit surface. To remove dried on material, use a soft-bristled brush.

For questions or additional information on reprocessing your Forest equipment, please contact Forest Technical Support at 800-423-3555.

HVE/SE INFECTION CONTROL

PROCEDURE: BETWEEN PATIENTS REPLACE BARRIER PROTECTION AND EXTRACTION TIP

STEP 1: With gloved hands, remove and dispose of disposable extraction HVE/SE tip and HVE/SE barrier protection.

STEP 2: Draw clean water through the vacuum device for 30 seconds while operating the HVE/SE lever (refer to page 1 for operation) from open to close to clear debris from mechanism.

STEP 3: Using clean gloves, install new disposable extraction tip and HVE/SE barrier protection.

REPROCESSING PROCEDURE: BETWEEN PATIENTS

⚠ WARNING: Forest HVE/SE assemblies (excluding disposable extraction tip) must be operated with FDA-cleared barrier protection (FDA Product Code: PEM) during a procedure following Forest's instruction for use; extraction tips must be disposed of between patients.

- If visual inspection shows barrier has been physically compromised or barrier did not adequately cover, immediately clean and then disinfect HVE/SE quick-disconnect base and sterilize HVE/SE body before next patient (refer to page 1 for part identification).
- When properly using barrier protection, clean and disinfect HVE/SE quick-disconnect base and sterilize HVE/SE body at the end of day following END OF DAY PROCEDURES on page 3.

REPROCESSING PROCEDURE: END OF DAY, BETWEEN PATIENTS WHEN BARRIER IS COMPROMISED AND HIGH-RISK PATIENTS

⚠ CAUTION: Be sure to rinse all pre-autoclave cleaning agents from components prior to sterilization.

⚠ WARNING: Sterilization parameters are gravity displacement steam autoclave. Parameters for wrapped (Sterilization Wrap FDA Product Code: FRG) are 132°C (270°F) for 15 minutes at temperature with a 30-minute drying time. Parameters for unwrapped (flash steam sterilization) are 132°C (270°F) for 10 minutes with a 30-minute drying time. Standard HVE weight: 1.28 oz, Universal HVE weight: 1.664 oz, SE weight: 1.024 oz.

! NOTE: The HVE/SE aluminum body, spool (removed), SE rubber tip (removed) and Viton o-rings may be autoclaved. Aluminum quick-disconnect base remains on the tubing (refer to page 1 for part identification).

STEP 1: After HVE/SE disposable extraction tip is removed, using a product labeled as a cleaner (or a solution of mild dish soap/warm water) applied to a wipe or soft paper towel, clean contact surfaces and remove visible soil/debris and contaminants from HVE/SE body and quick disconnect base.

STEP 2: Turn off vacuum source (or use vacuum plug on quick-disconnect base after detaching HVE/SE body).

ADDITIONAL STEP FOR END OF DAY: With eye protection, flush HVE/SE with evacuation system cleaner compatible with amalgam separators and vacuum systems following manufacturer's instruction for use. Evacuation system cleaner is available from your authorized Forest™ dealer.

STEP 3: Detach the HVE/SE body from the aluminum quick-disconnect base (refer to page 1 for disassembly). Quick-disconnect base remains on the tubing.

STEP 4: Disinfect HVE/SE quick-disconnect base (left on tubing) and HVE/SE tubing using an intermediate-level EPA-registered disinfectant (excluding chlorine-based products) with the intended use in healthcare facilities (such as CaviWipes™) and adhere to manufacturer's instruction for use. Be sure to wipe around the threads and inside of the parts.

STEP 5: Contrary to disinfectant label instructions for dwell time, allow disinfectant to remain wet on parts for at least a 4-minute dwell (contact) time. Increased dwell time is due to various material and porosity types of Forest units. Use multiple wipes to adequately wipe each surface and in order to keep surface visibly wet for the entire time. Allow surface to air dry for no less than 1 minute.

STEP 6: After 1 minute if still wet, wipe surface dry and then repeat step 5 to allow for adequate disinfection due to various material and porosity types.

STEP 7: Remove disinfectant residue with a solution of mild dish soap/warm water and wipe dry to minimize the harmful effects of chemical disinfectant residues. Not doing so will accelerate degradation of materials over time.

STEP 8: Prepare the HVE/SE body for sterilization over the sink (using a plug in the sink drain to avoid losing parts). Remove spool from HVE/SE body and rubber tip from SE (refer to page 1 for disassembly).

ADDITIONAL STEP FOR END OF DAY: When removing spool from HVE/SE body over sink, inspect Viton o-rings on spool, and HVE tip for cracks, nicks or missing portions. Replace if necessary.

STEP 9: Clean the external surfaces of the HVE/SE of all visual soil/debris using a solution of mild dish soap/warm water (or enzymatic cleaner). A soft-bristled nylon brush (to avoid surface damage) may be used to clean around the outer openings and connector interface.

STEP 10: Use the provided brush to clean o-rings and internal surfaces of the HVE/SE by inserting the brush in all open orifices while running warm water through the body.

⚠ WARNING: The enclosed cleaning brush spine may have a sharp tip which could cause injury. Use caution when handling the brushes and cleaning parts.

STEP 11: Thoroughly rinse the HVE/SE with clean water to remove any residual soap or enzymatic cleaner. Allow the instruments to completely dry.

STEP 12: The HVE/SE assemblies are now ready for sterilization per sterilization parameters above. HVE/SE

should remain disassembled during sterilization. (SE rubber tip and spool are disassembled from HVE/SE body. O-rings remain in place.)

STEP 13: After sterilization, drying and cooling, using clean gloves, reassemble HVE/SE spool and SE rubber tip on to HVE/SE body.

ADDITIONAL STEP FOR END OF DAY: After drying and cooling of sterilized devices, visually inspect the condition of the Viton o-rings on spool, quick-disconnect base and HVE tip. Replace Viton o-rings if found to have cracks, nicks or missing portions.

STEP 14: Replace HVE/SE body on to the quick-disconnect base.

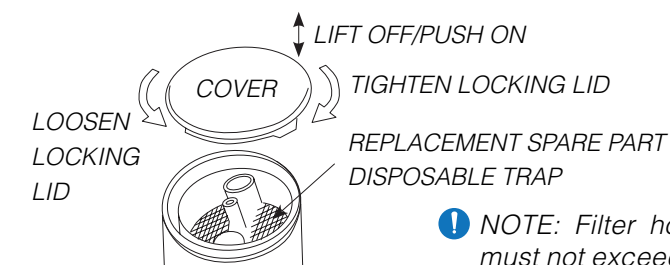
STEP 15: Turn on vacuum source. Verify operation and check for audible system vacuum leaks.

CLEAN AND DISINFECT HVE/SE CANISTER

⚠ WARNING: Disposable solids collector (trap) should be changed weekly or more often if it becomes clogged. Used traps should be disposed of by a licensed medical hazardous waste handler due to the possible presence of amalgam waste.

⚠ WARNING: With gloved hands, remove trap from canister directly into a leak-proof bag to avoid spilling contaminated contents.

⚠ WARNING: Do not use dental vacuum lines connected to amalgam separators to dispose of water used to perform DUWL shock treatments or for bulk disposal of used or outdated dental unit waterline treatment products. Refer to the following link for the latest Federal EPA amalgam law: www.EPA.gov.



DISPOSABLE TRAP REPLACEMENT PARTS: PART #
1-7/8" (PKG OF 10) 0020-100
2-1/8" (PKG OF 10) 0020-101

PROCEDURE: END OF DAY

Open control head lid and visually inspect solids collector (trap). If filled, change trap following instructions below.

PROCEDURE: WEEKLY OR AS NEEDED

STEP 1: Wearing eye protection and gloved hands, remove canister cover by twisting clockwise.

STEP 2: Remove trap from canister directly into a leak-proof bag to avoid spilling contaminated contents.

STEP 3: Remove and dispose of gloves and re-glove hands.