

## MAINTENANCE & CLEANING/DISINFECTION

### LIGHT AUTO ON/OFF ADJUSTMENT (FIG. 1)

(contact your service technician)

**STEP 1:** Remove flex arm end caps screws (.05" Hex).  
Remove end caps.

**STEP 2:** Remove the four screws securing the flex arm cover (1/16" Hex).

**STEP 3:** Slide the cover down the flex arm.

**STEP 4:** Loosen the two set screws securing the On/Off switch block (3/32" Hex).

**STEP 5:** Slide block away from light for later on activation or toward light for sooner activation.

**STEP 6:** Reverse steps to complete.

### DEACTIVATING AUTO ON/OFF (FIG. 2)

(contact your service technician)

**STEP 1:** Refer to steps 1 - 3 (light auto On/Off adjustment).

**STEP 2:** Locate block next to auto On/Off switch inside arm.

**STEP 3:** Loosen and remove (2) screws - 5/64" Hex.

**STEP 4:** Remove block (automatic On/Off - deactivated).

**STEP 5:** To reactivate the auto On/Off simply reinstall block.

⚠ **CAUTION:** Verify set screw is securely tightened to avoid end cap detachment.

⚠ **MISE EN GARDE:** Vérifier que la vis de serrage est bien serrée pour éviter que le chapeau ne se détache.

## TROUBLESHOOTING

### LIGHT DOES NOT TURN ON

**STEP 1:** Make sure electric power cord for the power supply is correctly plugged in.

**STEP 2:** If still inoperable, unplug power cord and check condition of fuse.

**STEP 3:** If the problem is not solved, contact our Technical Service Department. (TF) 800.423.3555

### LIGHT INTENSITY IS CONSIDERABLY DIMMED

**STEP 1:** Follow steps for "Cleaning Front Shield & Reflector".

**STEP 2:** If light remains dim, contact our Technical Service Department. (TF) 800.423.3555

### SQUEAKING LIGHT ARM

**STEP 1:** Lubricate post socket with multi-purpose grease included with light.

FIG. 1: ON/OFF ADJUSTMENT

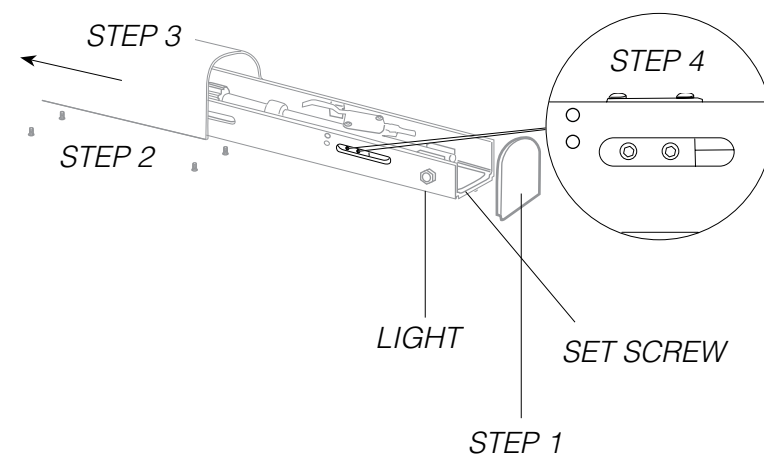
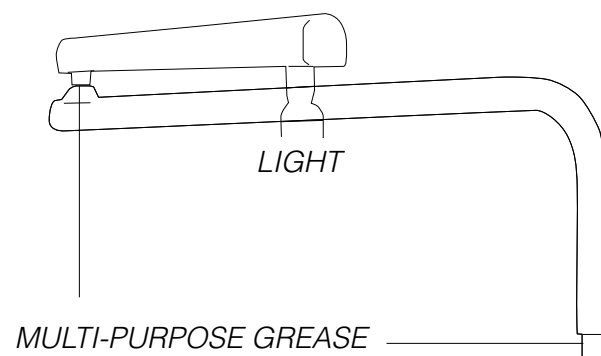
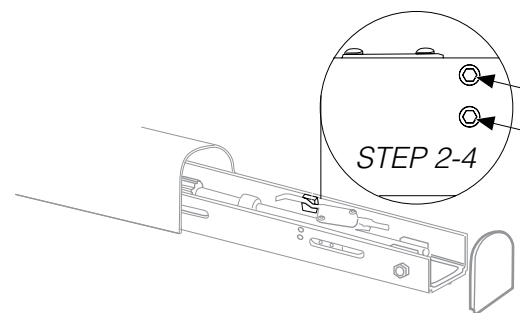


FIG. 2: DEACTIVATING AUTO ON/OFF



MODEL DL-01 (9078/9079) LED LIGHT

OPERATOR'S GUIDE

# Forest

DENTALEZ



Refer to Forest™ General Information Operator's Guide for Glossary of Symbols, Terms, EMC/Electrical Safety Declaration and User Guidance.



UL CERTIFIED Product, SAFETY evaluated to ES60601-1



**INDICATIONS FOR USE/INTENDED USE** The dental operator light is a light source intended to illuminate the oral cavity of dental patients for better visibility by a dental practitioner during diagnostic and therapeutic treatment in a clinical environment. There are no contraindications for this product.

**EXPECTED SERVICE LIFE** With proper maintenance and service, Forest Dental products are designed for a defined "service life" under normal use (based on approximately 50 patients per week) of 5 years from the date of manufacture, with the exception of serviceable components. Some components may become obsolete due to changes in technology or due to product improvements and may necessitate product updates or upgrades. At the end of the defined service life, all products require examination by a trained service technician prior to continued use. Following this, additional examinations are required every 5 years.

⚠ **CAUTION:** Federal law restricts this device to sale by or on the order of a dental practitioner licensed by the law of the State in which he/she practices to use or order the use of the device.

⚠ **MISE EN GARDE:** Selon les lois fédérales, cet appareil ne peut être vendu que par un (ou à la demande d'un) dentiste praticien autorisé par les législations de l'état dans lequel il ou elle exerce à utiliser ou ordonner l'utilisation de cet appareil.

! **NOTE:** Refer to Service Manual and Installation Instructions for complete technical descriptions.

! **REMARQUE:** Consulter le manuel d'entretien et les instructions d'installation pour obtenir la description technique complète.

 **DTE OREGON, INC.** DENTALEZ.COM

6200 NE Cherry Drive, Hillsboro, OR 97124 USA (TF) 800 . 423 . 3555 (T) 503 . 640 . 3012 (F) 503 . 693 . 9715



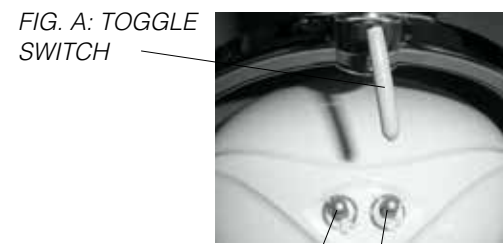
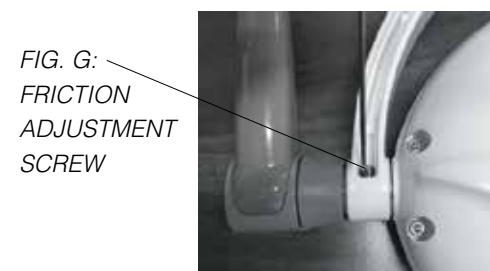
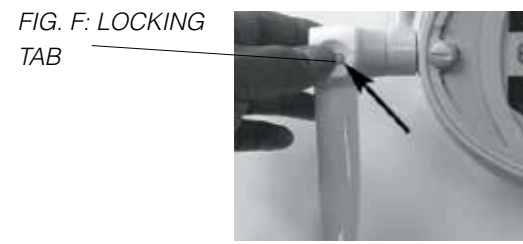


FIG. B: LIGHT INTENSITY  
FIG. C: COLOR TEMPERATURE



## TECHNICAL DESCRIPTION/SPECIFICATIONS

Input Voltage	16/18 VAC
Light Source	10 LEDs (1 W Each)
Spot Size	2.75in - 5.5in (70mm X 140mm)
Light Intensity, Lux (Adjustable)	8,000 - 35,000
Color Temperature	4,200 - 6,000K
Protection against electrical dangers	Class 1 device, IPX0
Power Supply/Transformer	Continuous Duty

**⚠ WARNING:** Only the specified power supplies are to be used for safe operation of the dental light.

**⚠ AVERTISSEMENT:** Seules les alimentations spécifiées doivent être utilisées pour un fonctionnement sécuritaire de la lampe dentaire.

Powertronix Power Supply AA-200000-ME (230/115 VAC, 300W, 50/60 Hz), AA-119298-ME (230/115 VAC, 244W, 50/60 Hz), AA119296-ME (230/115 VAC, 100W, 50/60 Hz) and Transformer AA-132400-ME (230/115 VAC, 100W, 50/60 Hz).

Refer to light installation instruction for locating power supply/transformer away from the vicinity of water sources.

## OPERATING LIGHT

**⚠ WARNING:** Do not stare into beam of light when light is on.

**⚠ AVERTISSEMENT:** Ne pas regarder directement le faisceau de lumière lorsque l'éclairage est en marche.

**ℹ NOTE:** Color temperature is subjective and varies between operators.

**ℹ REMARQUE:** La couleur de température est subjective et varie selon les utilisateurs.

- Position light for oral cavity illumination using handles for focal length and direction.
- Turning On. Toggle switch left. (FIG. A)  
 = On     = Off
- Automatic On/Off. Lift light flex arm above and below 0°. (To deactivate contact your service technician.)
- Adjusting light intensity. Use knob to adjust intensity (FIG. B).
- Adjusting color temperature. Use knob to adjust color temperature (FIG. C).

## MAINTENANCE AND CLEANING/DISINFECTION

**⚠ WARNING:** To avoid personal injury, ensure the dental light is off before proceeding with the following steps.

**⚠ AVERTISSEMENT:** Pour éviter les blessures, s'assurer que la lampe dentaire est éteinte avant d'effectuer les étapes suivantes.

Refer to Forest™ Operatory Equipment Asepsis Operator's Guide for infection control procedures.

## REMOVING & REPLACING FRONT SHIELD

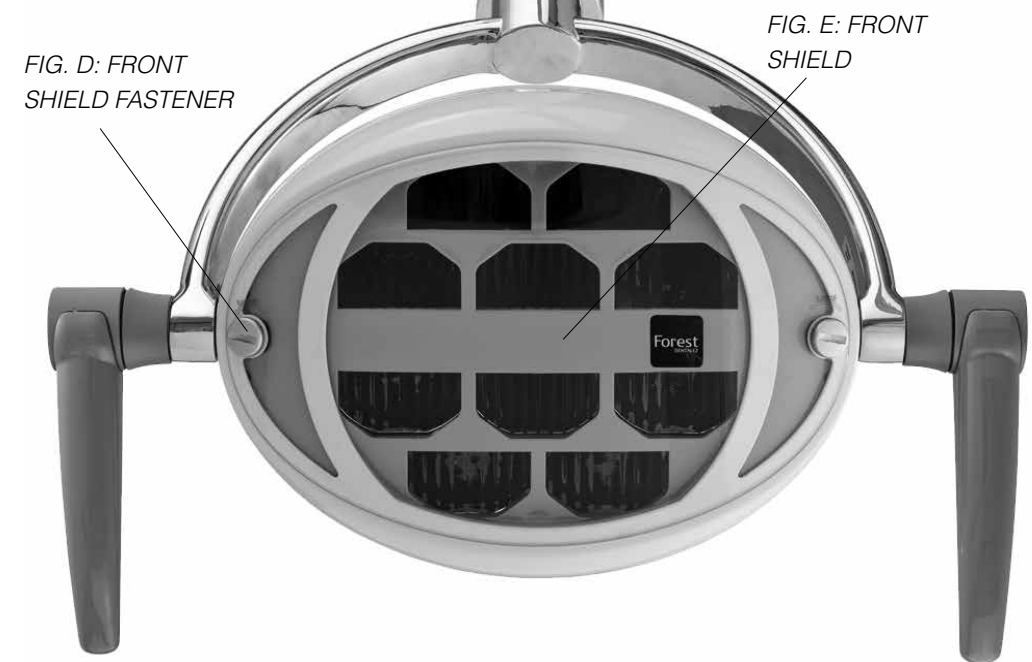
**⚠ CAUTION:** Never touch the LED reflectors or lamps. If necessary, clean only with low pressure air.

**⚠ MISE EN GARDE:** Ne touchez jamais les réflecteurs ou les lumières LED. Si nécessaire, nettoyer uniquement avec de l'air à basse pression.

**STEP 1:** Turn the 1/4 turn fasteners on front of shield clockwise (FIG. D).

**STEP 2:** Pull shield out with fasteners (FIG. E).

**STEP 3:** Reverse to reinstall.



## CLEANING FRONT SHIELD & REFLECTOR

**⚠ CAUTION:** Abrasive or detergent materials such as alcohol, gasoline (petrol), turpentine or the like should not be used on any part of the light.

**⚠ MISE EN GARDE:** Les matériaux ou détergents abrasifs comme l'alcool, l'essence, la térébenthine et toute autre substance semblable ne devraient pas être utilisés sur aucune partie de la lampe.

**STEP 1:** Remove front shield (FIG. D & E).

**STEP 2:** Clean the front shield with a soft cloth moistened with mild soapy water. Using chemical disinfectants can damage components. The front shield is not autoclaveable.

**STEP 3:** If needed, clean reflector with low pressure air only.

## REMOVING & STERILIZING HANDLES

**STEP 1:** Press in the locking tab (FIG. F).

**STEP 2:** To completely unhook, wiggle and pull handle outward while pressing in locking tab.

**STEP 3:** Autoclave @ 250° F (121° C) for 10 minutes or 273° F (134° C) for 4 minutes.

**STEP 4:** Reverse steps 1 and 2 to reinstall.

## ACCESSORIES AND DETACHABLE/REPLACEMENT PARTS

**STEP 1:** Power Supply/Transformer

**STEP 2:** Front Shield

**STEP 3:** Handles

## LIGHT FRICTION ADJUSTMENT SCREW

**STEP 1:** Looking at the front of the light, remove the right side decorative trim from the back of the light by pulling it up with your fingers. This will reveal the friction adjustment screw (FIG. G).

**STEP 2:** Using a 1.5mm hex wrench adjust the set screw clockwise to create more tension for the light head and counter clockwise to loosen.