

Forest DENTALEZ

AUTOMATIC HANDPIECE CONTROLS

All controls/adjustments are located on the front panel.

MASTER ON/OFF (FIG.1)

Turns on the air and water for the entire system. This toggle controls the air-actuated master valves in the utility center. Flip the toggle toward on to activate the system. Always turn the toggle off whenever the unit is not in use.

HANDPIECE PRESSURE GAUGE (FIG. 2)

Indicates drive air pressure to the handpiece.

DRIVE AIR PRESSURE ADJUSTMENT (FIG. 3)

Allows handpiece to be adjusted to its manufacturer's recommended operating pressure. Turn the adjusting screw counter clockwise to increase the pressure, clockwise to decrease the pressure.

WATER COOLANT FLOW ADJUSTMENT (FIG. 4)

Allows individual adjustment of water coolant to be made to the handpieces. Turn the knob counter clockwise to increase the flow, clockwise to decrease the flow.

HANDPIECE FLUSH (FIG. 5)

Flushes the handpiece dental unit water lines (DUWL).

⚠ WARNING: Refer to Forest™ Dental Unit Water Line Maintenance Operator's Guide for detailed procedures on maintaining DUWL.

AIR COOLANT FLOW CONTROL (FIG. 6)

Allows air flow adjustment to be made to the handpieces. Turn the knob counter clockwise to increase the flow, clockwise to decrease the flow.

WATER COOLANT ON/OFF (LOCATED ON THE FOOT CONTROL)

Activates handpiece water coolant system. Flip the toggle toward the red dot to enable the water coolant.

AUTOMATIC HANDPIECE HOLDER (FIG. 8)

Signals the automatic control system to supply drive air and air/water coolant to the handpiece as it is lifted from its holder. When the handpiece is placed back in the holder, a signal to the automatic control system stops the drive air and air/water coolant supply.

LARGE PANEL MOUNT

WATER COOLANT FLOW ADJUSTMENT (FROM LEFT TO RIGHT 1, 2, 3, WITH 4 OPTIONAL)

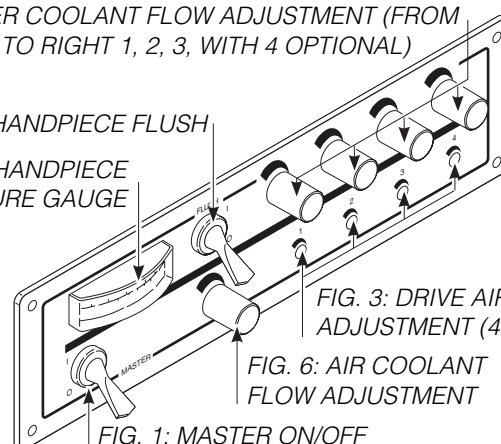
FIG. 5: HANDPIECE FLUSH

FIG. 2: HANDPIECE PRESSURE GAUGE

FIG. 3: DRIVE AIR PRESSURE ADJUSTMENT (4 POSITIONS)

FIG. 6: AIR COOLANT FLOW ADJUSTMENT

FIG. 1: MASTER ON/OFF



SMALL PANEL MOUNT

FIG. 6: AIR COOLANT FLOW ADJUSTMENT

FIG. 2: HANDPIECE PRESSURE GAUGE

FIG. 4: WATER COOLANT FLOW ADJUSTMENT (1 FOR BOTH HANDPIECES)

FIG. 1: MASTER ON/OFF

FIG. 5: HANDPIECE FLUSH

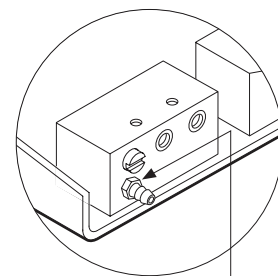
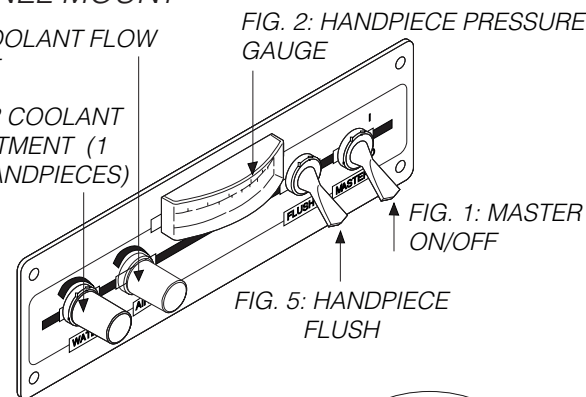


FIG. 3: DRIVE AIR PRESSURE ADJUSTMENT (2 PLACES) LOCATED INSIDE CHASSIS

SYRINGE HOLDER

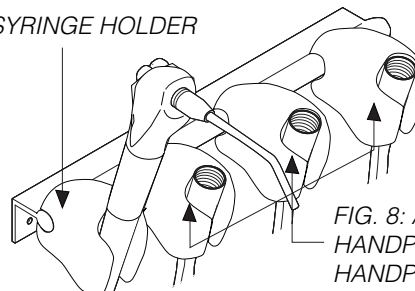


FIG. 8: AUTOMATIC HANDPIECE HOLDER 2, 3 AND 4 HANDPIECE POSITIONS