

# Forest DENTALEZ



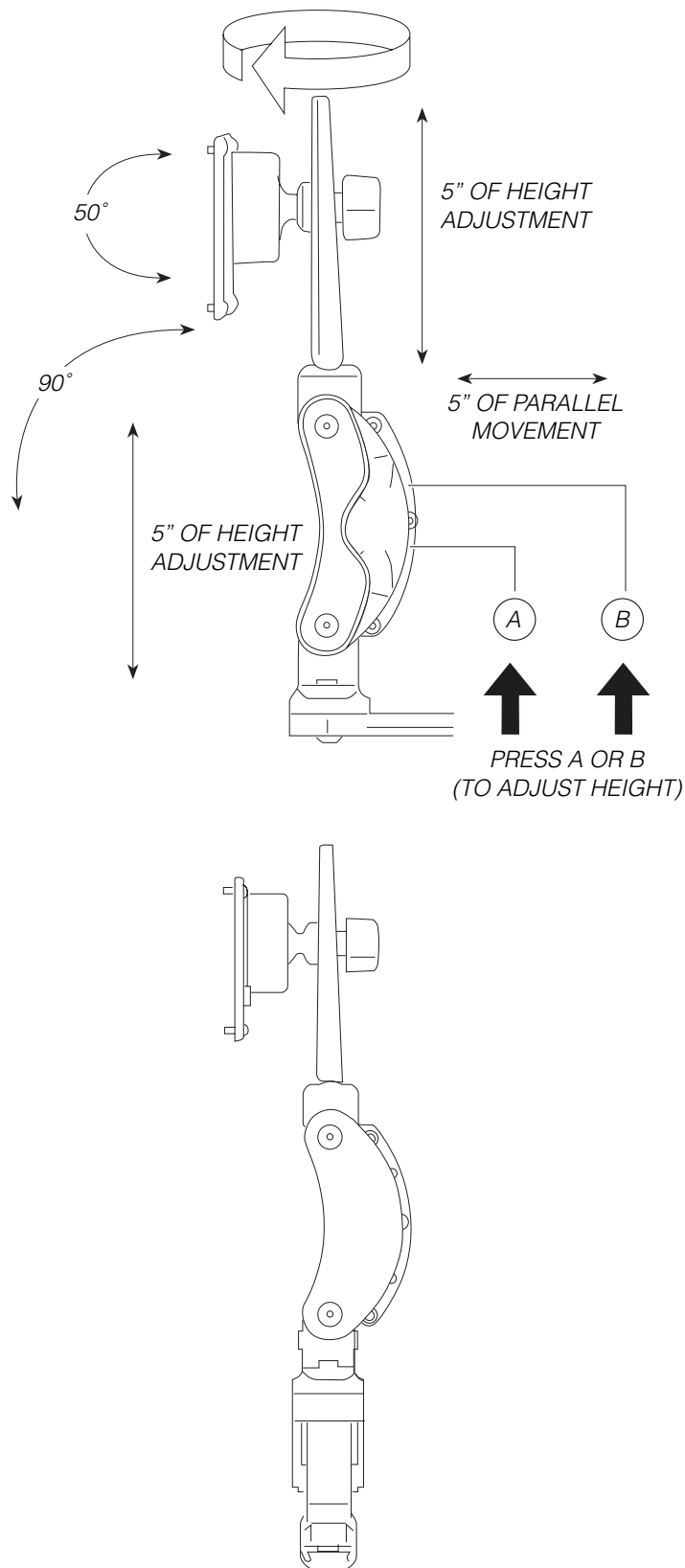
Refer to Forest™ General Information Operator's Guide for Glossary of Symbols, Terms, EMC/Electrical Safety Declaration and User Guidance.

**INDICATIONS FOR USE/INTENDED USE** The monitor mount is a mounting base for a monitor screen intended to magnify or visualize the oral cavity for better visibility of a dental patient when used with an intraoral camera by a dental practitioner during diagnostic and therapeutic treatment in a clinical environment. There are no contraindications for this product.

**EXPECTED SERVICE LIFE** With proper maintenance and service, Forest products are designed for a defined "service life" under normal use (based on approximately 50 patients per week) of 5 years from the date of manufacture, with the exception of serviceable components. Some components may become obsolete due to changes in technology or due to product improvements and may necessitate product updates or upgrades. At the end of the defined service life, all products require examination by a trained service technician prior to continued use. Following this, additional examinations are required every 5 years.

**⚠ WARNING:** Monitor (flat panel) must fit 100 x 100 VESA plate and not exceed: Weight: 15 lbs (6.81 kg) Overall diagonal size: 24" (61.96 cm).

**⚠ CAUTION:** Federal law restricts this device to sale by or on the order of a dental practitioner licensed by the law of the State in which he/she practices to use or order the use of the device.



**DTE OREGON, INC.** DENTALEZ.COM

6200 NE Cherry Drive, Hillsboro, OR 97124 USA (TF) 800 . 423 . 3555 (T) 503 . 640 . 3012 (F) 503 . 693 . 9715

