

ASSISTANT'S SWING ARM LINK KIT (1110-505)

Tools Required: 1/2" and 1-1/2" Allen Wrench, 3/8" Wrench.

STEP 1: Loosen set screw in hub to free bottom bolt (FIG. 1).

STEP 2: Remove bolt from bottom of arm.

STEP 3: Insert arm link and new components (FIG. 2).

STEP 4: Install new bottom bolt through arm compressing components together while tightening locknut onto bolt.

STEP 5: Assemble link and washers onto hub (FIG.3).

STEP 6: Insert new bolt through arm into hub.

STEP 7: Tighten set screw into hub to secure bolt.

FIG. 1:

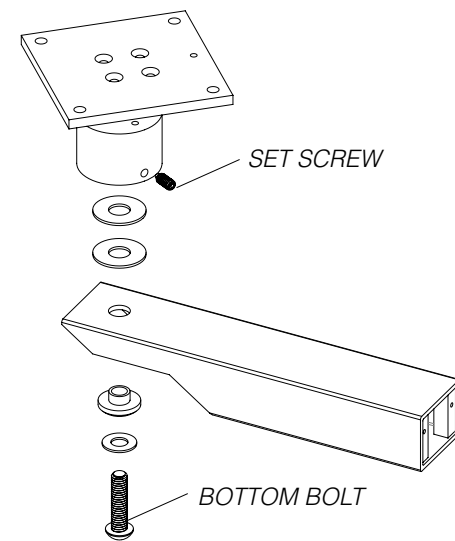


FIG. 2:

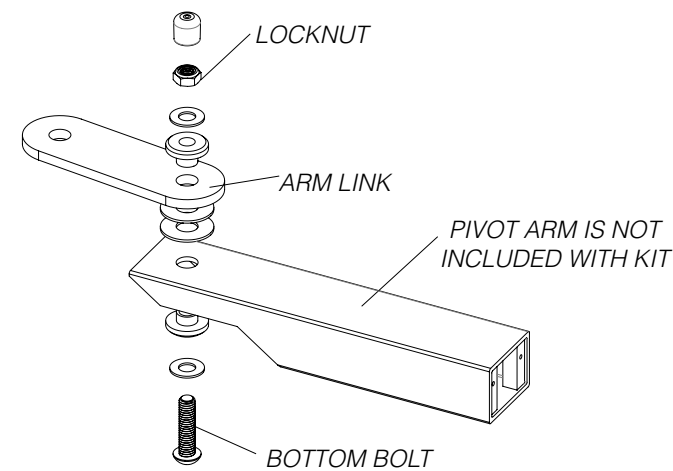
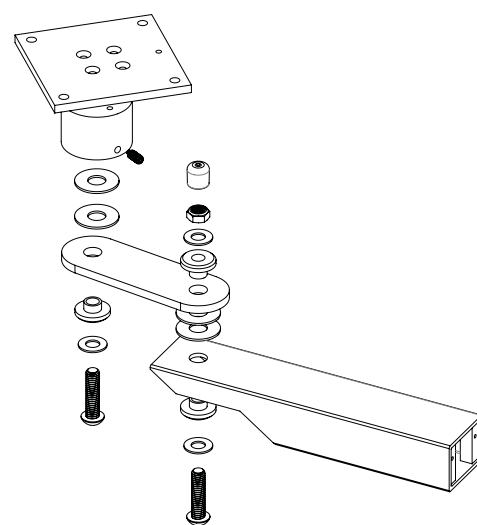


FIG. 3:



REAR MOUNT SIDE DELIVERY

Forest

DENTALEZ

INSTALLATION INSTRUCTION

ALERT SYMBOL KEY

The safety notices associated with the following should be given special attention when they appear in maintenance, operating and emergency procedures in the guide.

⚠ WARNING indicates that the personal safety of the patient, end user or technician could be compromised by disregarding the WARNING. Not following instructions may result in an injury.

⚠ CAUTION indicates that a particular procedure or precaution must be followed to avoid system irregularity or possible damage to the product.

! NOTE indicates special information to improve the ease of maintaining the product, or to clarify important information.

⚠ WARNING: We recommend consulting a licensed professional, I.E. Structural or Architectural Engineer when attaching a delivery to the building structure. If installing the delivery on a cabinet, shelf or other furniture alternative, take extra precaution to assure the apparatus is structurally sound and secured to the building structure to support the delivery weight preventing detachment or tipping resulting in injury. Forest™ is not liable for injury resulting from improper installation.

⚠ CAUTION: Field modifications that alter the electrical and/or mechanical safety of Forest products conflict with agency construction file requirements and are not sanctioned by Forest.

⚠ CAUTION: Recommended and provided mounting hardware may not be suitable for your specific installation. Please use caution when selecting hardware to avoid possible damage. Forest is not liable for damage due to hardware choice.

! NOTE: Installation Verification: Refer to Operator's Guide and perform all operations. If operations performing as intended installation complete. If operations not performing as intended, review steps in installation instructions to confirm correct installation or call Technical Support at 800-423-3555.

Tools Required: 3/32", 5/32" and 7 7/32" Allen Wrench, Philips Screwdriver and Flat Head, Jigsaw.

PANEL MOUNTS

STEP 1: Install panel mount in cabinet (refer to wall cut out dimensional aid below) (FIG. 1).

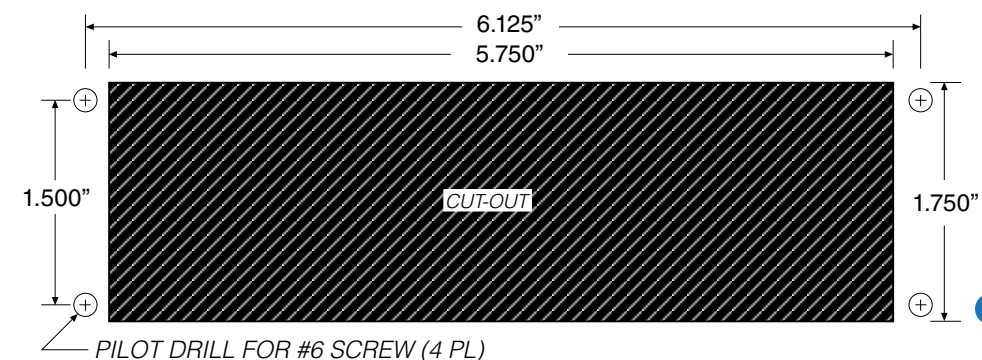
STEP 2: Attach fixed holder bar to verticle surface (refer to dimensional aid below) (FIG. 2).

STEP 3: Connect delivery to utility plumbing (see schematic enclosed).

WALL CUT-OUT 2 HANDPIECE PANEL MOUNT

Mounting Hardware Included: #6 x 3/4 Philips Pan Head Sheet Metal Screw, 4 each.

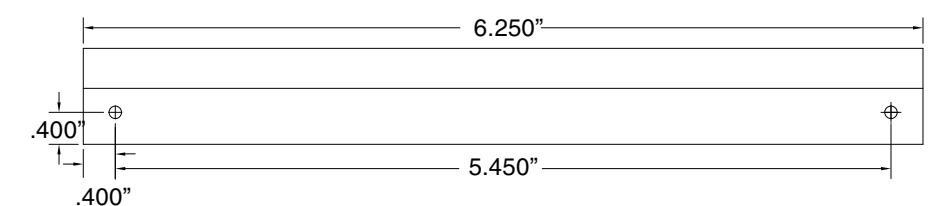
FIG. 1:



FIXED HOLDER BAR 2 HANDPIECE PANEL MOUNT

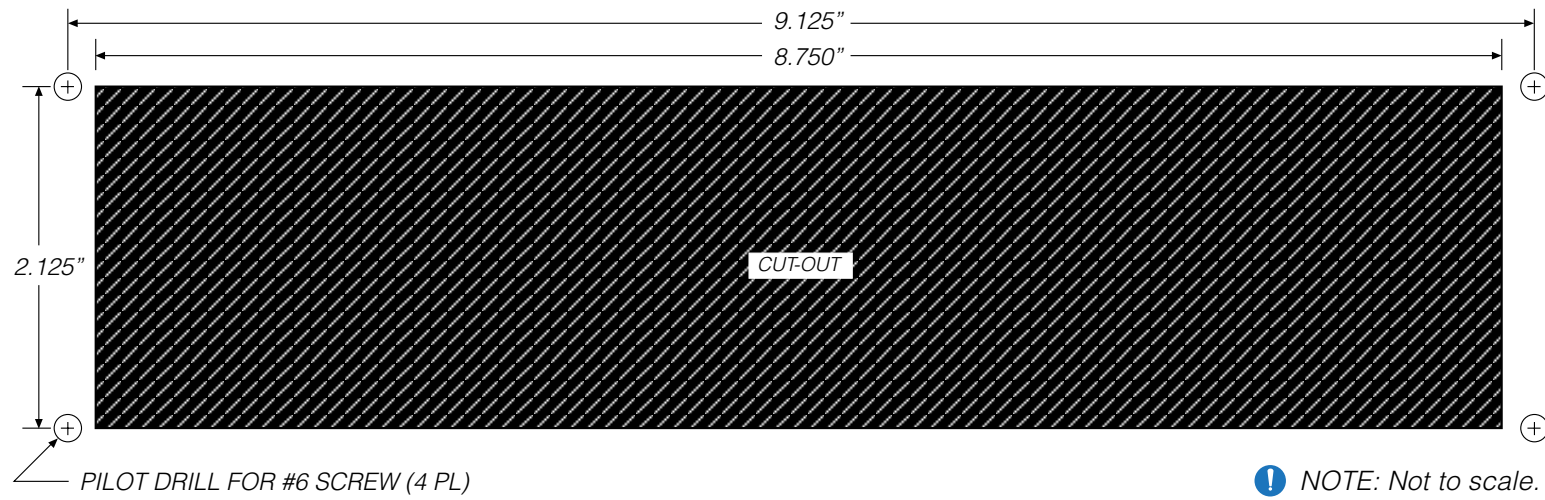
Mounting Hardware Included: #6 x 3/4 Philips Pan Head Sheet Metal Screw, 2 each.

FIG. 2:



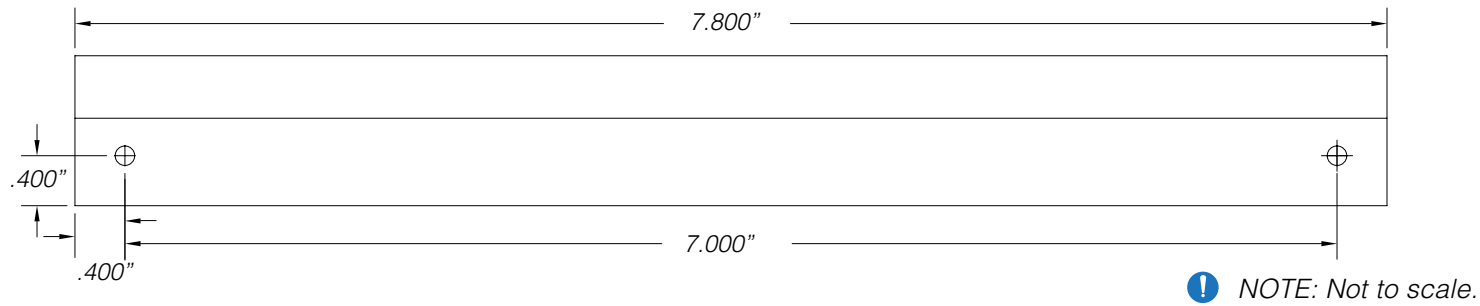
WALL CUT-OUT 3 OR 4 HANDPIECE PANEL MOUNT

Mounting Hardware Included: #6 x 3/4 Philips Pan Head Sheet Metal Screw, 4 each.



FIXED HOLDER BAR 3 OR 4 HANDPIECE PANEL MOUNT

Mounting Hardware Included: #6 x 3/4 Philips Pan Head Sheet Metal Screw, 2 each.

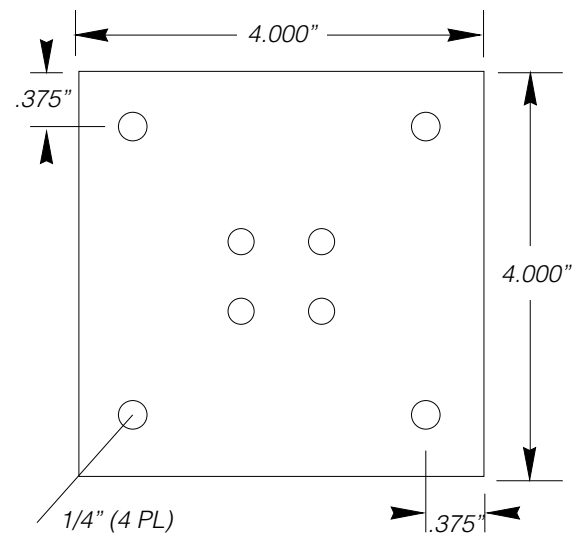


**MOUNTING PLATE FOR DUO MCC MODEL
MOUNTING PLATE FOR ASSISTANT'S MCC
MODEL WITH FLOATING WORK SURFACE ARM**

Mounting Hardware Included: 3/8-16 x 7/8 Socket Button Head Screw, 4 each.



**MOUNTING PLATE FOR DUO FOREST™ MODEL
MOUNTING PLATE FOR ASSISTANT'S SWING
ARM FOREST AND MCC MODELS**



DUO REAR BENEATH COUNTER MOUNT

STEP 1: Install delivery and mounting plate under work surface (FIG. 1) (refer to page 2 for dimensions).

STEP 2: Match and connect panel mount and delivery umbilical (FIG. 2).

STEP 3: Connect delivery to utility plumbing (FIG. 3) (see schematic enclosed).

FIG. 1:

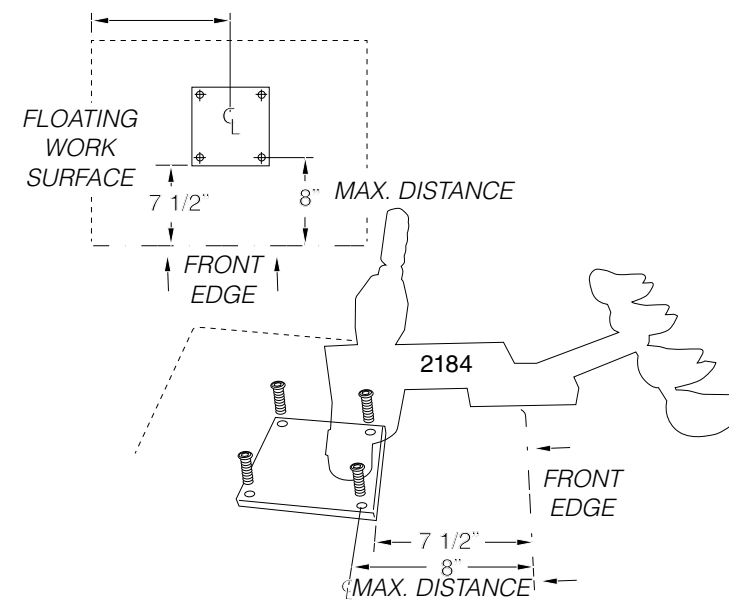


FIG. 2:

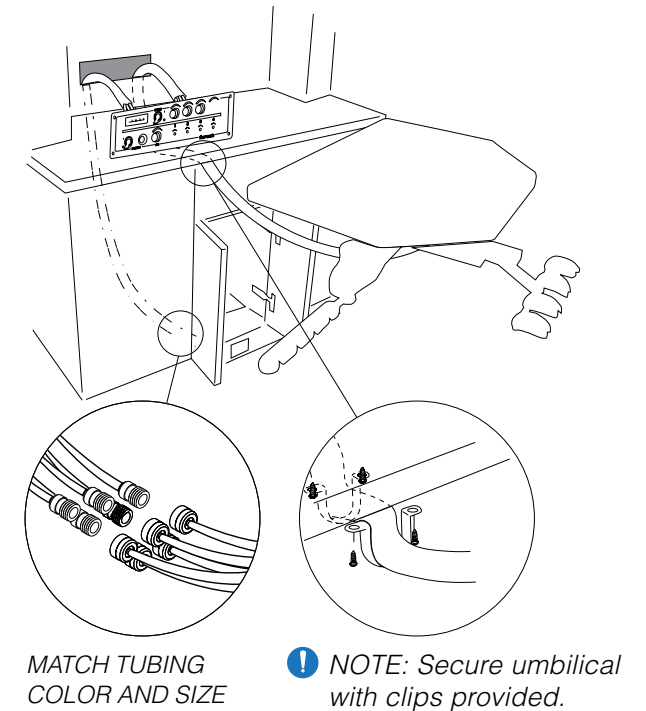


FIG. 3:

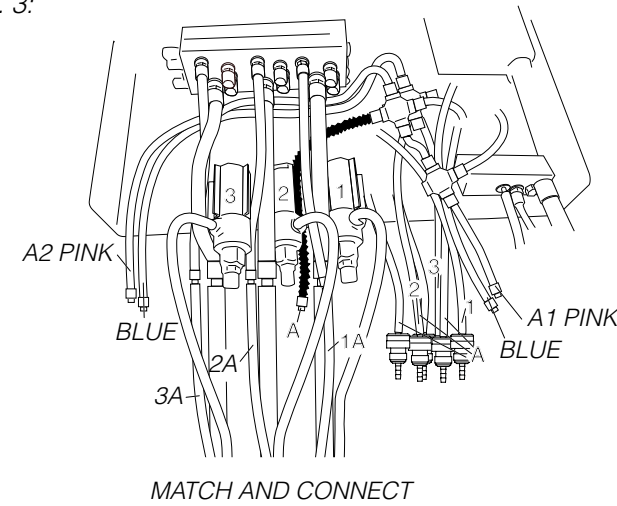
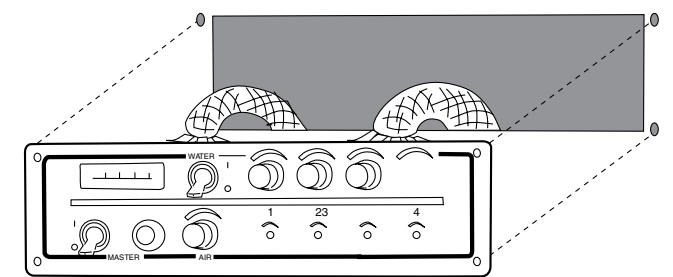


FIG. 4:



ASSISTANT'S SWING ARM

STEP 1: Install Assistant's and mounting plate under work surface (refer to page 2 for mounting plate dimensions).

