

STEP 1: Insert casters (wheels) into base. Apply a significant amount of pressure to ensure casters are seated properly (FIG. 1-2).

STEP 2: Insert height adjustment cylinder into base (FIG. 3).

STEP 3: Slide adjustable footring over height adjustment cylinder and tighten footring knob to secure in place (FIG. 4).

STEP 4: Sit stop collar on top of height adjustment cylinder and tighten set screws (FIG. 5).

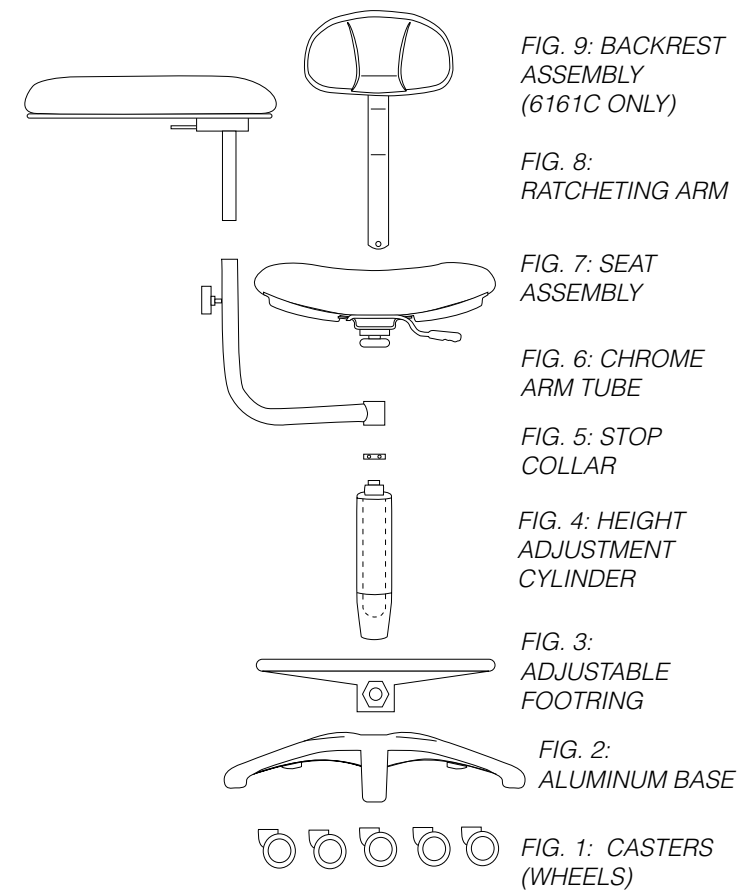
STEP 5: Slide chrome arm tube on top of height adjustment cylinder until firmly seated (FIG. 6).

STEP 6: Place the seat assembly on top of height adjustment cylinder (FIG. 7).

STEP 7: Remove plug and insert back assembly into seat assembly. Replace plug after installation (6161C only) (FIG. 8).

STEP 8: Slide ratcheting arm into arm tube. Firmly tighten arm tube knob clockwise to secure arm in place (FIG. 9).

STEP 9: Sit on stool to permanently lock cylinder into base and seat. At this time, the piston in the height adjustment cylinder may be engaged by activating the seat height lever to adjust seat location.



DTE OREGON, INC. DENTALEZ.COM
 6200 NE Cherry Drive, Hillsboro, OR 97124 USA (TF) 800 . 423 . 3555 (T) 503 . 640 . 3012 (F) 503 . 693 . 9715



Forest DENTALEZ

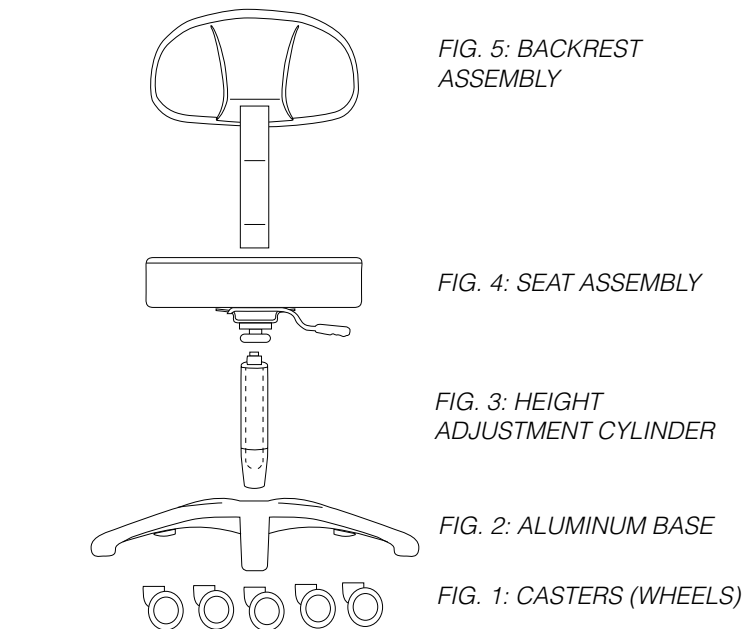
ALERT SYMBOL KEY

The safety notices associated with the following should be given special attention when they appear in maintenance, operating and emergency procedures in the guide.

- ⚠ WARNING** indicates that the personal safety of the patient, end user or technician could be compromised by disregarding the WARNING. Not following instructions may result in an injury.
- ⚠ CAUTION** indicates that a particular procedure or precaution must be followed to avoid system irregularity or possible damage to the product.
- ℹ NOTE** indicates special information to improve the ease of maintaining the product, or to clarify important information.
- ⚠ WARNING:** Only engage piston inside the height adjustment cylinder after the stool is assembled. Activating the piston prior to installation may cause injury.
- ℹ NOTE:** Installation Verification: Refer to Operator's Guide and perform all operations. If operations not performing as intended, review steps in installation instructions to confirm correct installation or call Technical Support at 800-423-3555.

6156 DOCTOR'S ECONOMY STOOL

STEP 1: Insert casters (wheels) into base. Apply a significant amount of pressure to ensure casters are seated properly (FIG. 1-2).

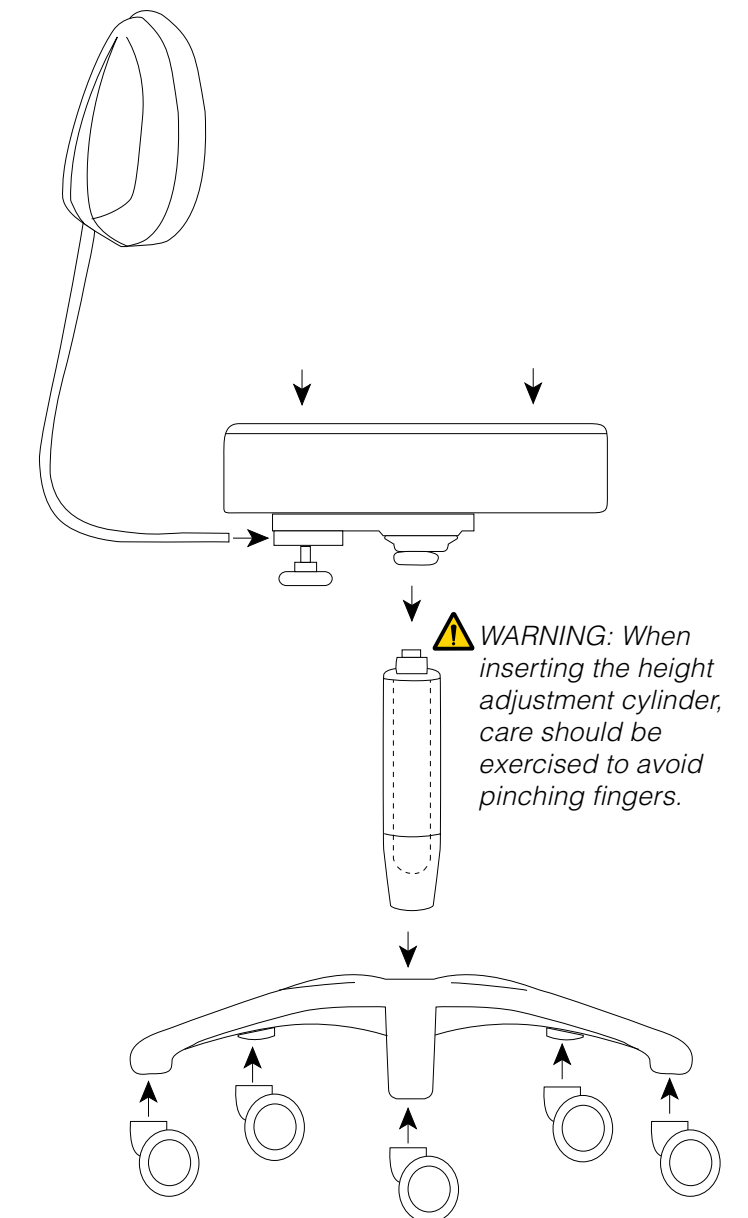


STEP 2: Insert height adjustment cylinder into aluminum base (FIG. 3).

STEP 3: Place the seat assembly on top of height adjustment cylinder (FIG. 4).

STEP 4: Insert back assembly into mechanism under the seat and tighten knob securely turning clockwise (FIG. 5).

STEP 5: Sit on stool to permanently lock cylinder into base and seat. At this time, the piston in the height adjustment cylinder may be engaged by activating the seat height lever to adjust seat location.



⚠ WARNING: Be sure casters are firmly seated before using stool.

6157 ASSISTANT'S ECONOMY STOOL

STEP 1: Insert casters (wheels) into base. Apply a significant amount of pressure to ensure casters are seated properly (FIG. 1-2)

STEP 2: Insert height adjustment cylinder into base (FIG. 3).

STEP 3: Slide footring over height adjustment cylinder (FIG. 4).

STEP 4: Sit stop collar on top of height adjustment cylinder and tighten set screws (FIG. 5).

STEP 5: Slide chrome arm tube on top of height adjustment cylinder until firmly seated (FIG. 6).

STEP 6: Place the seat assembly on top of height adjustment cylinder (FIG. 7).

STEP 7: Slide fixed arm into arm tube. Firmly tighten arm tube knob clockwise to secure arm in place (FIG. 8).

STEP 8: Sit on stool to permanently lock cylinder into base and seat. At this time, the piston in the height adjustment cylinder may be engaged by activating the seat height lever to adjust seat location.

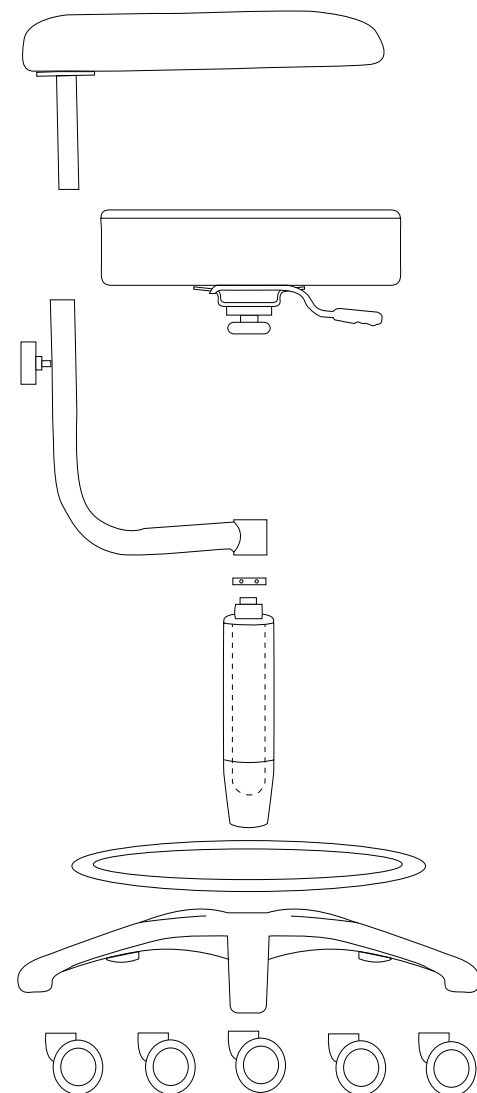


FIG. 8: FIXED ARM

FIG. 7: SEAT ASSEMBLY

FIG. 6: CHROME ARM TUBE

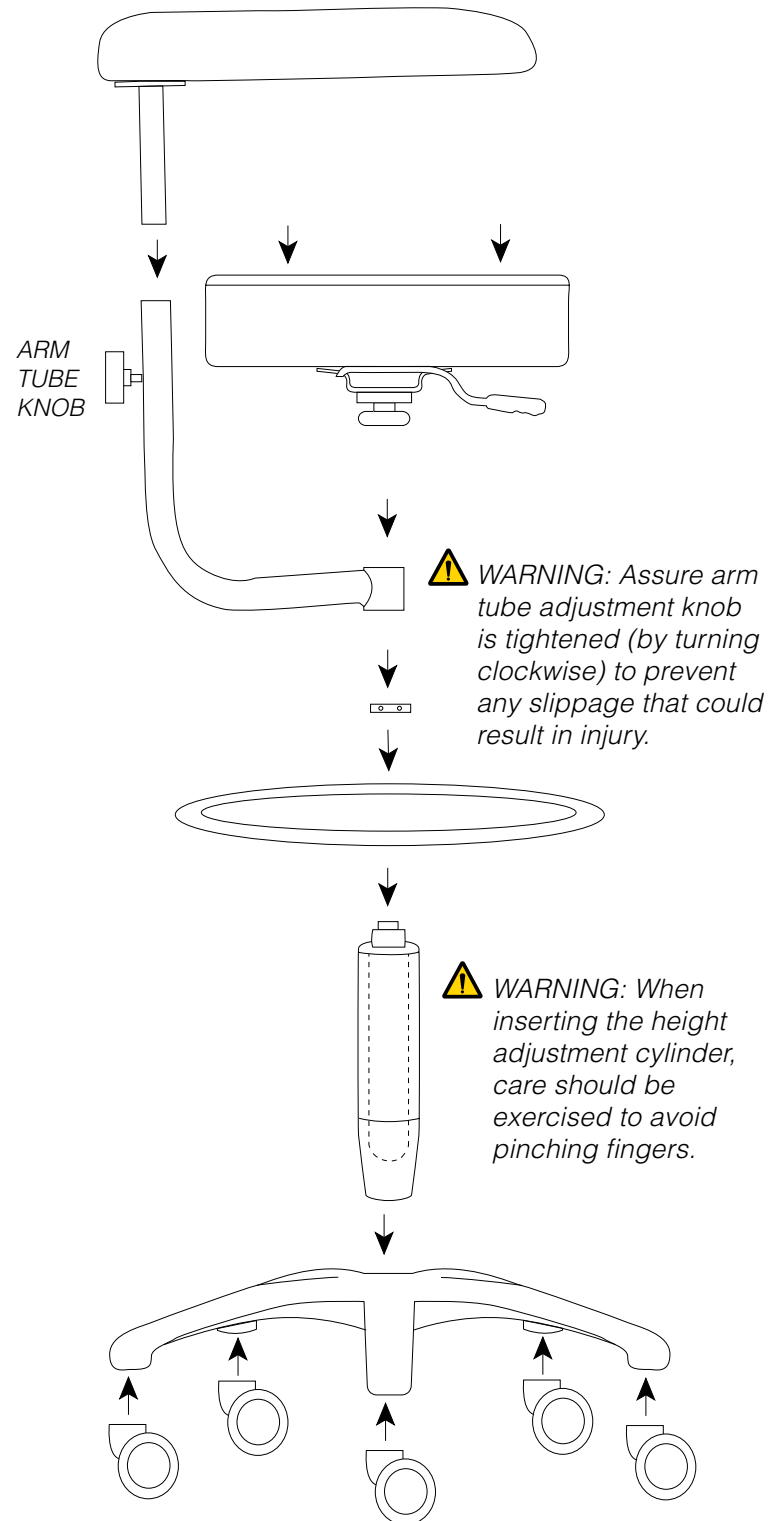
FIG. 5: STOP COLLAR

FIG. 4: HEIGHT ADJUSTMENT CYLINDER

FIG. 3: FIXED FOOTRING

FIG. 2: ALUMINUM BASE

FIG. 1: CASTERS (WHEELS)



WARNING: Assure arm tube adjustment knob is tightened (by turning clockwise) to prevent any slippage that could result in injury.

WARNING: When inserting the height adjustment cylinder, care should be exercised to avoid pinching fingers.

WARNING: Be sure casters are firmly seated before using stool.

6159 OPERATOR'S DELUXE STOOL

STEP 1: Insert casters (wheels) into base. Apply a significant amount of pressure to ensure casters are seated properly (FIG. 1-2).

STEP 2: Insert height adjustment cylinder into base (FIG. 3).

STEP 3: Place the seat assembly on top of height adjustment cylinder (FIG. 4).

STEP 4: Remove plug and insert back assembly into seat assembly. Replace plug after installation (FIG. 5).

STEP 5: Sit on stool to permanently lock cylinder into base and seat. At this time, the piston in the height adjustment cylinder may be engaged by activating the seat height lever to adjust seat location.

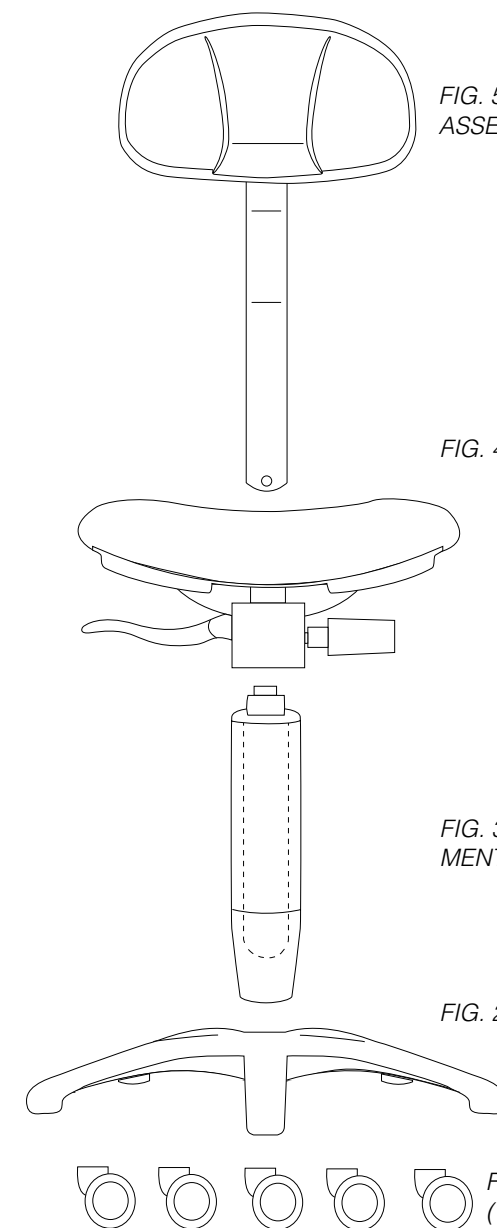


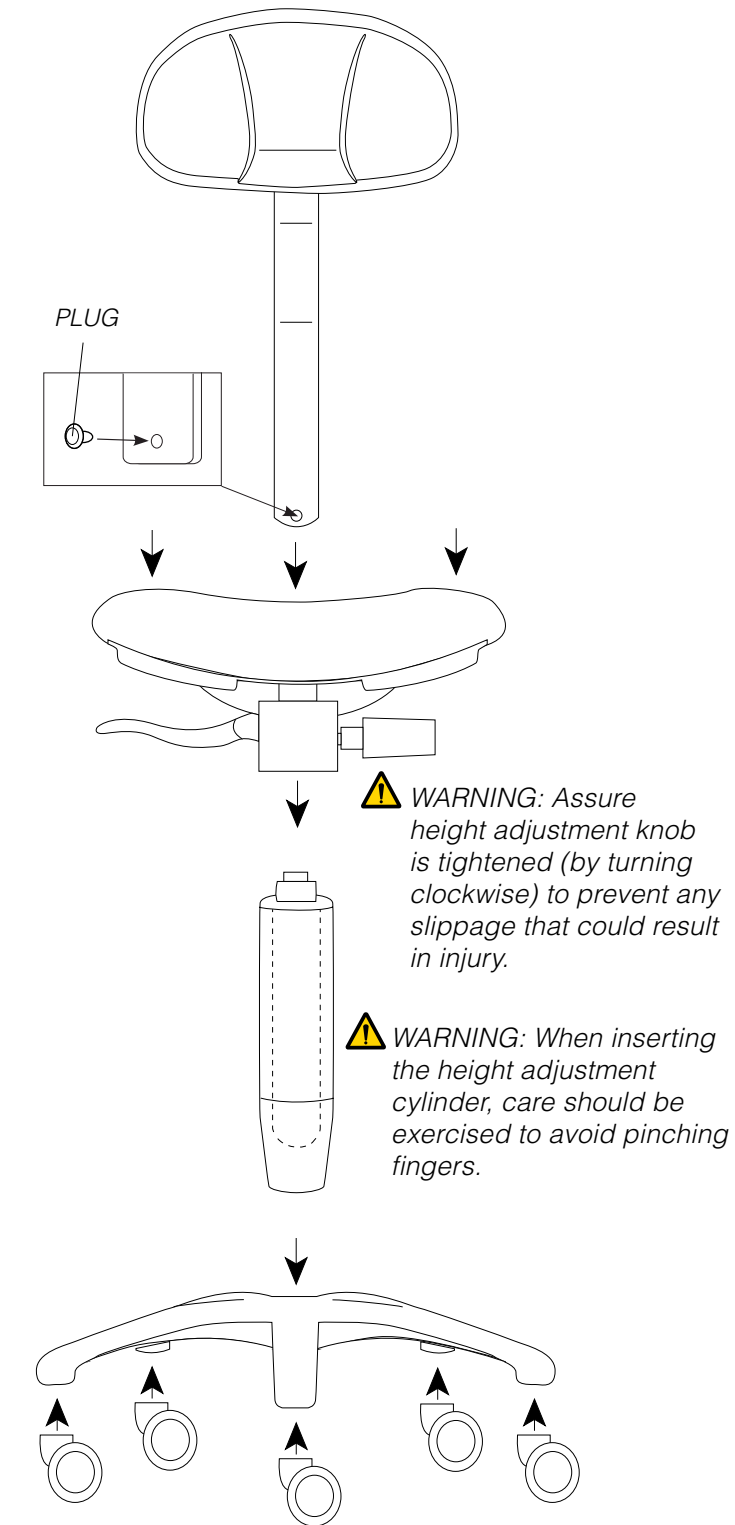
FIG. 5: BACKREST ASSEMBLY

FIG. 4: SEAT ASSEMBLY

FIG. 3: HEIGHT ADJUSTMENT CYLINDER

FIG. 2: ALUMINUM BASE

FIG. 1: CASTERS (WHEELS)



WARNING: Assure height adjustment knob is tightened (by turning clockwise) to prevent any slippage that could result in injury.

WARNING: When inserting the height adjustment cylinder, care should be exercised to avoid pinching fingers.

WARNING: Be sure casters are firmly seated before using stool.