

## WALL MOUNT

Tools Required: 1/8", 7/32" and 5/16" Allen Wrench and Bubble Level.

Mounting Hardware Included: 3/8-16 x 1-1/4" Socket Button Head Screws, 4 each.

**CAUTION:** Level to prevent drift.

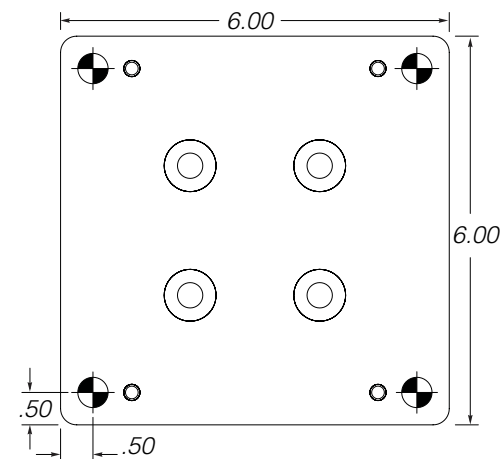
**NOTE:** An 18" mounting height from the floor will result in the unit work surface having a range of 34" to 37" from the floor. Check with the operator to ensure the installation is acceptable.

**STEP 1:** Install 16" x 18" wall mount plate. If the wall mount plate is not needed, install 6" x 6" mounting plate (FIG. 1).

**STEP 2:** Attach clean water system bottle (FIG. 2).

**NOTE:** For control head leveling refer to page 1.

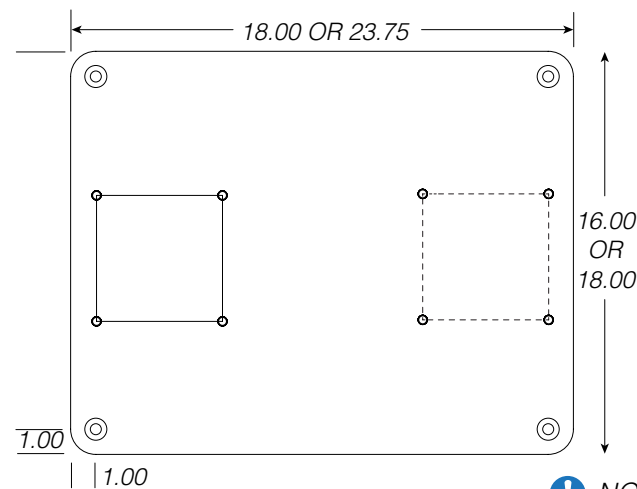
### MOUNTING PLATE, 6" X 6"



**NOTE:** Not to scale.

### WALL MOUNT PLATE

METAL POWDER COATED, 16" X 18"  
LAMINATE, 18" X 23.75"



**NOTE:** Not to scale.

FIG. 1

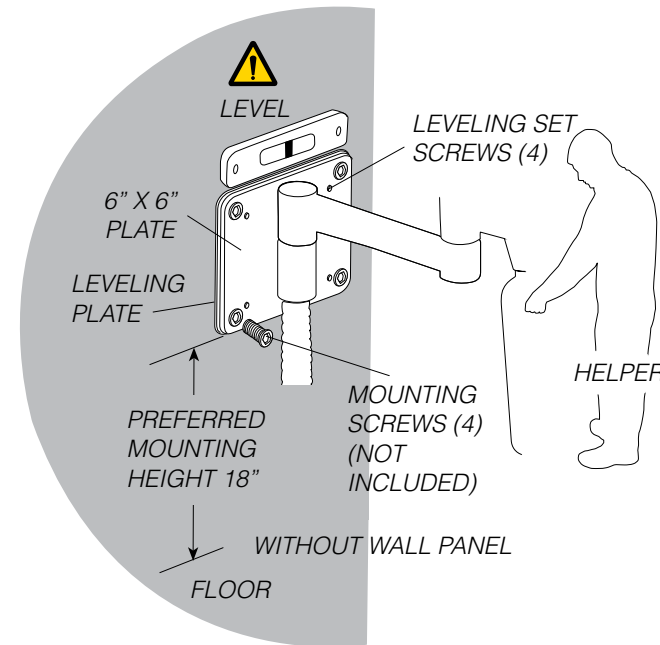
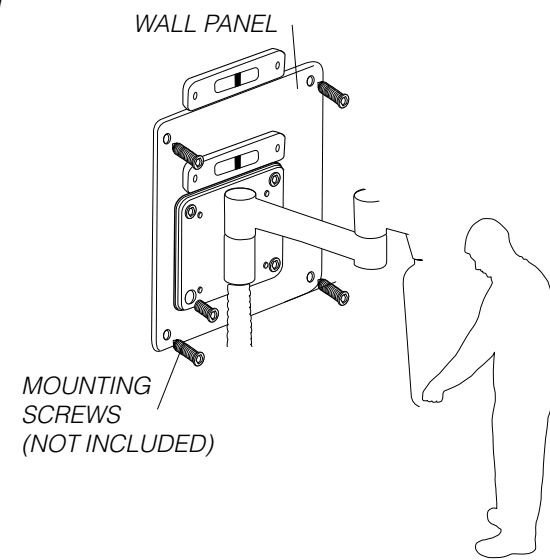
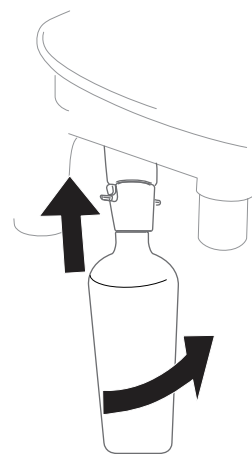


FIG. 2



## REAR CABINET AND WALL DELIVERY SYSTEM

# Forest DENTALEZ

## INSTALLATION INSTRUCTION

### ALERT SYMBOL KEY

The safety notices associated with the following should be given special attention when they appear in maintenance, operating and emergency procedures in the guide.

**WARNING:** indicates that the personal safety of the patient, end user or technician could be compromised by disregarding the WARNING. Not following instructions may result in an injury.

**CAUTION:** indicates that a particular procedure or precaution must be followed to avoid system irregularity or possible damage to the product.

**NOTE:** indicates special information to improve the ease of maintaining the product, or to clarify important information.

**WARNING:** We recommend consulting a licensed professional, I.E. Structural or Architectural Engineer when attaching a delivery to the building structure. If installing the delivery on a cabinet, shelf or other furniture alternative, take extra precaution to assure the apparatus is structurally sound and secured to the building structure to support the delivery weight preventing detachment or tipping resulting in injury. Forest™ is not liable for injury resulting from improper installation.

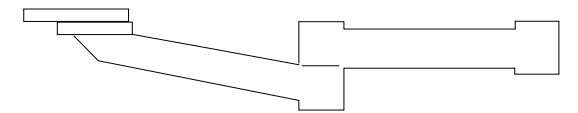
**CAUTION:** Field modifications that alter the electrical and/or mechanical safety of Forest products conflict with agency construction file requirements and are not sanctioned by Forest.

**CAUTION:** Recommended and provided mounting hardware may not be suitable for your specific installation. Please use caution when selecting hardware to avoid possible damage. Forest is not liable for damage due to hardware choice.

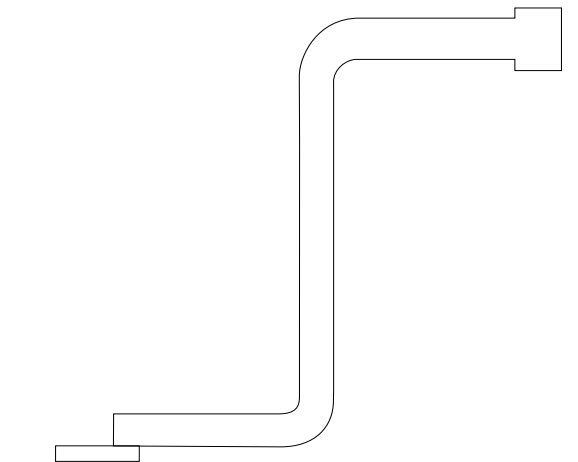
**NOTE:** Installation Verification: Refer to Operator's Guide and perform all operations. If operations performing as intended installation complete. If operations not performing as intended, review steps in installation instructions to confirm correct installation or call Technical Support at 800-423-3555.

**NOTE:** See enclosed schematic for delivery to utility center plumbing.

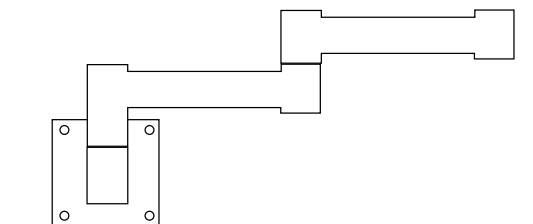
BENEATH COUNTER MOUNT (BC)  
(REFER TO PAGE 2).



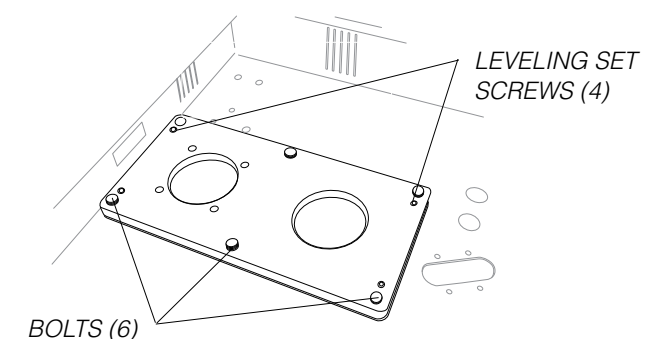
UNDER CABINET FLOOR MOUNT (UC)  
(REFER TO PAGE 3).



WALL MOUNT (WM) (REFER TO PAGE 4).



7000 CONTROL HEAD LEVELING PLATE



**DTE OREGON, INC.** DENTALEZ.COM

6200 NE Cherry Drive, Hillsboro, OR 97124 USA (TF) 800 . 423 . 3555 (T) 503 . 640 . 3012 (F) 503 . 693 . 9715



## BENEATH COUNTER MOUNT

Tools Required: 1/8", 7/32" and 5/16" Allen Wrench, and Bubble Level.  
 Mounting Hardware Included: 3/8-16 x 7/8" Socket Button Head Grade 8 Screws, 4 each.

STEP 1: Mount heavy duty plate under cabinet top (FIG. 1).

STEP 2: Attach arm to heavy duty mounting plate (FIG. 2).

STEP 3: Level arm (FIG. 3).

STEP 4: Attach clean water system bottle (FIG. 4).

FIG. 1

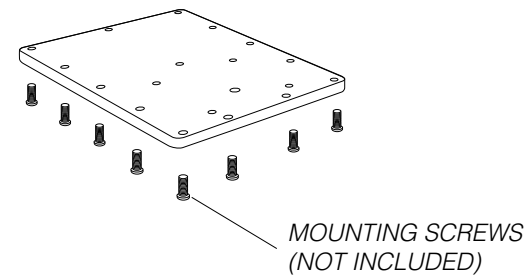


FIG. 2

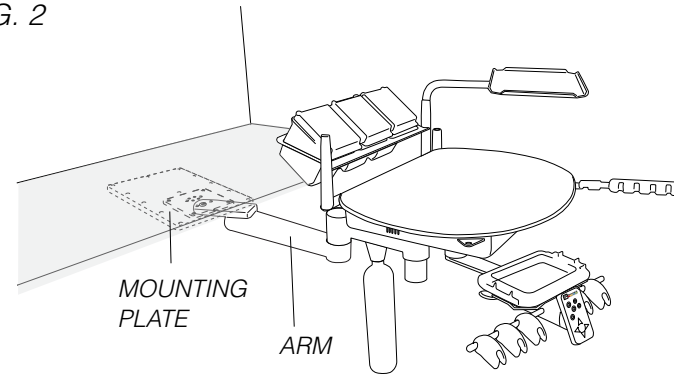
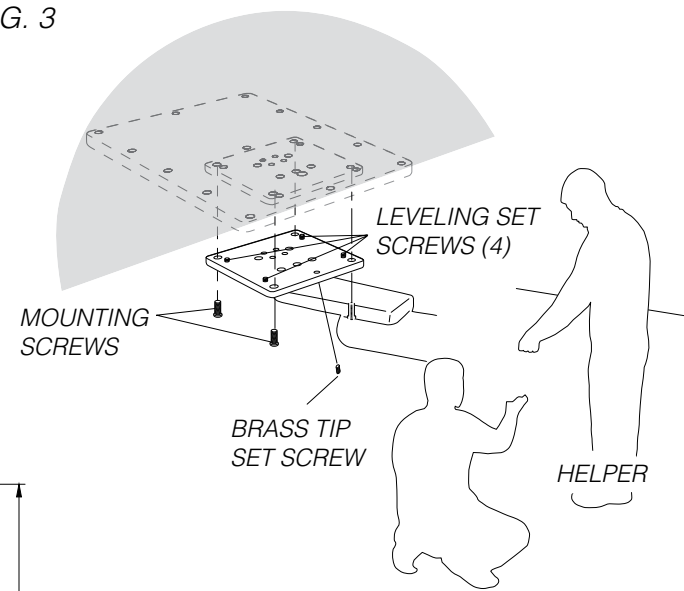
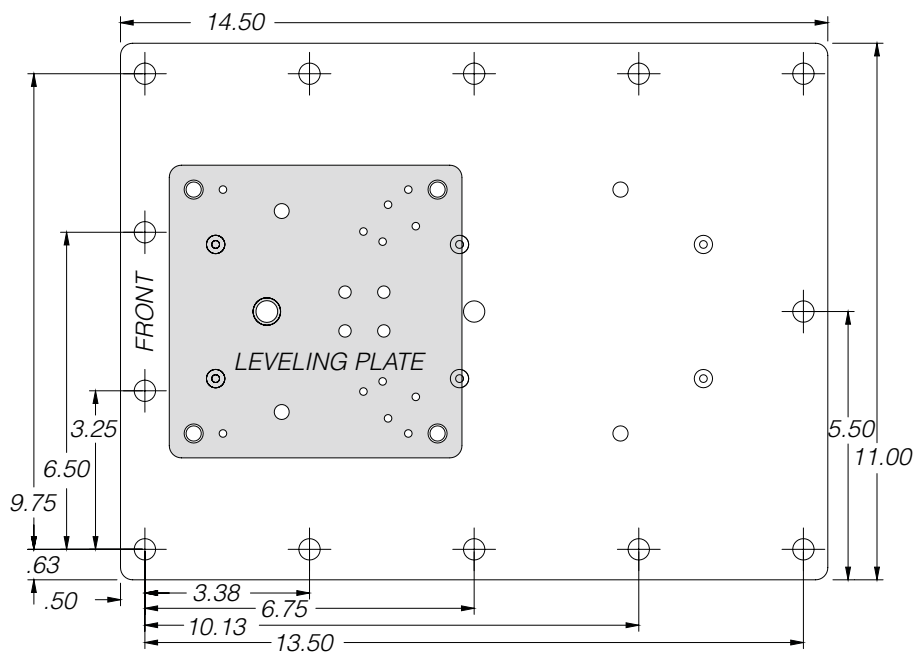


FIG. 3

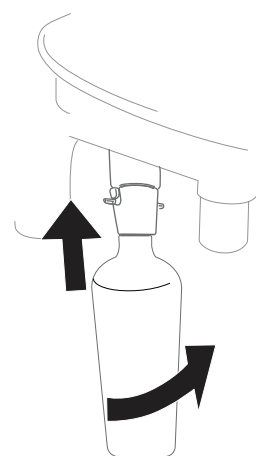


## BENEATH COUNTER PLATE, 11" X 14.5"



NOTE: Not to scale.

FIG. 4



## UNDER CABINET FLOOR MOUNT

Tools Required: 5/8" Concrete Drill Bit, Hammer Drill, Hammer, 1/8", 7/32" and 5/16" Allen Wrench, 1/2" Anchor Tool included, and Bubble Level.  
 Mounting Hardware Included: Anchor insert 1/2-13UNC, 2".

NOTE: Use floor mount plate as template.

STEP 1: Using a 5/8" drill bit, drill holes in concrete to a minimum depth of 2.25" (FIG. 1).

STEP 2: Clear holes of debris.

STEP 3: Using enclosed tool, pound anchors into drilled holes flush with concrete floor (FIG. 2).

STEP 4: Install floor plate and level (FIG. 3).

STEP 5: Install bent bottom delivery post using bearing assembly (FIG. 4).

STEP 6: Additional leveling may be required once delivery is installed (FIG. 5).

WARNING: If you are unable to level to prevent drift, contact Technical Support.

NOTE: For 7000 Control Head leveling refer to page 1.

STEP 7: Attach clean water system bottle (FIG. 6).

FIG. 1

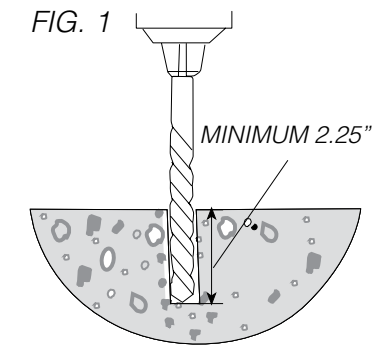


FIG. 2

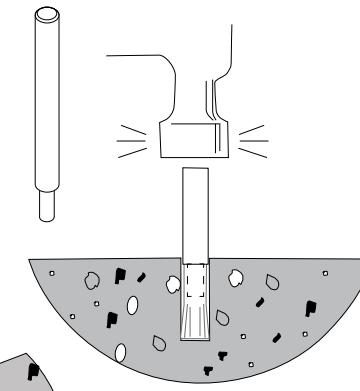
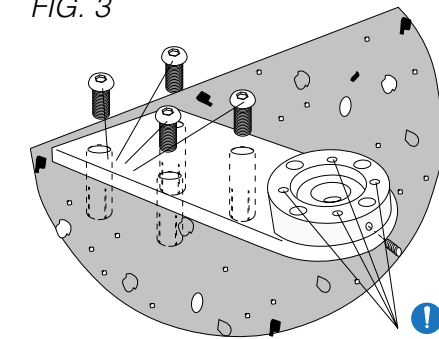


FIG. 3



NOTE: Leveling set screws (4).

FIG. 4

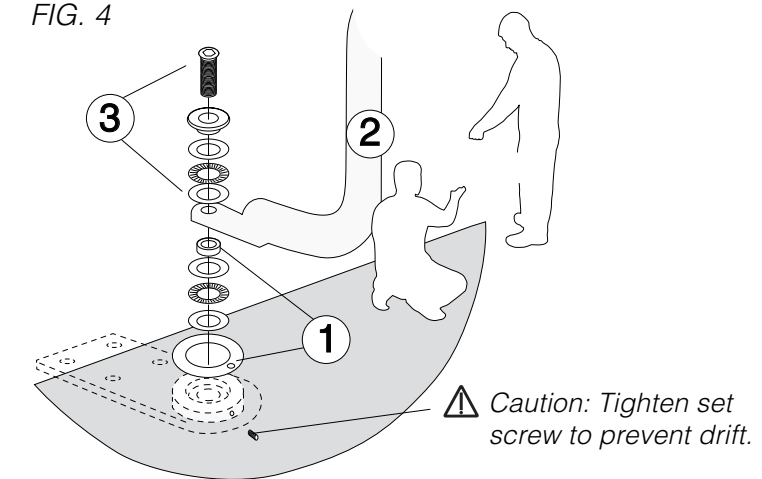


FIG. 6

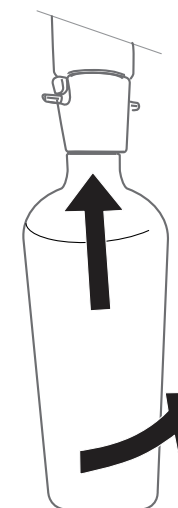


FIG. 5

