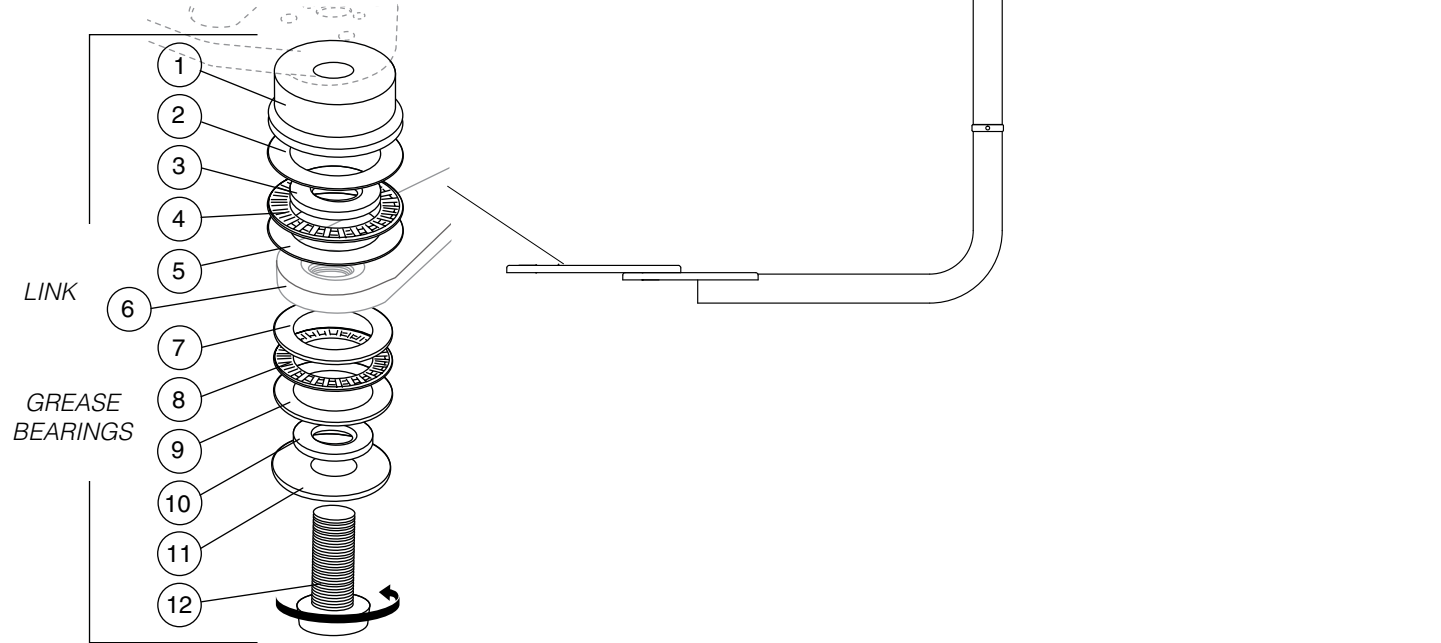


FIG. 1:

STEP 1: Mount the international style assistant's arm under the chair adapter using the bearing kit diagram (FIG. 1).

0010-680 BEARING KIT DIAGRAM



CUSPIDOR INSTALLATION

STEP 1: If applicable install the cuspidor with bushing into the sidebox (FIG. 1-1.2).

STEP 2: Route and connect the drain tubing (FIG. 1.2).

FIG. 1: DELUXE

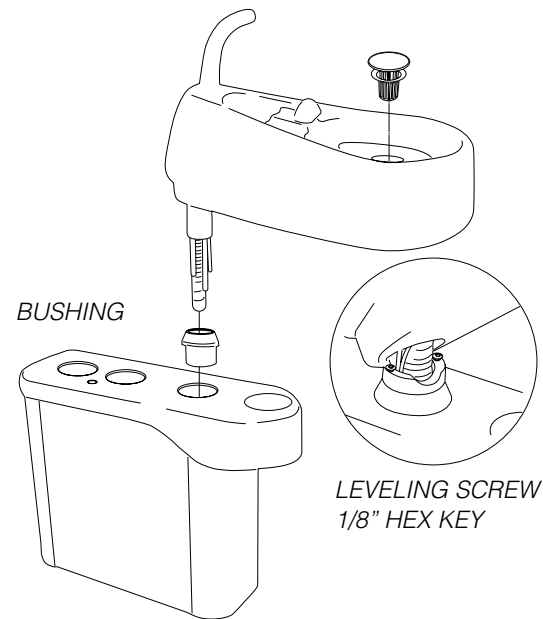
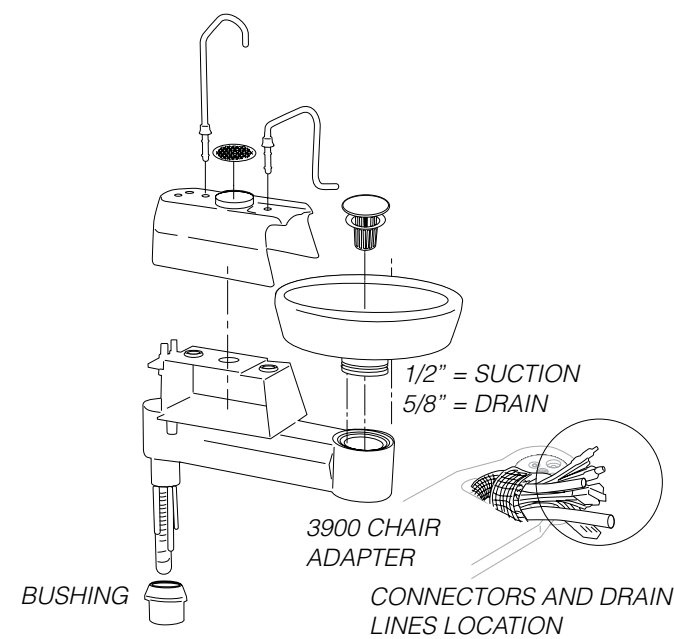


FIG. 1.2: BASIC



Forest DENTALEZ

ALERT SYMBOL KEY

The safety notices associated with the following should be given special attention when they appear in maintenance, operating and emergency procedures in the guide.

⚠ WARNING indicates that the personal safety of the patient, end user or technician could be compromised by disregarding the WARNING. Not following instructions may result in an injury.

⚠ CAUTION indicates that a particular procedure or precaution must be followed to avoid system irregularity or possible damage to the product.

ℹ NOTE indicates special information to improve the ease of maintaining the product, or to clarify important information.

⚠ CAUTION: To avoid electrostatic discharge (ESD) damage to electronics, always wear grounded wrist strap attached to a ground adapter (eg: Banana or Grounding plug) when handling circuit boards, chair controls, and cables or working in the area of electrical circuits.

⚠ CAUTION: Field modifications that alter the electrical and/or mechanical safety of Forest™ products conflict with agency construction file requirements and are not sanctioned by Forest.

ℹ NOTE: Installation Verification: Refer to Operator's Guide and perform all operations. If operations performing as intended installation complete. If operations not performing as intended, review steps in installation instructions to confirm correct installation or call Technical Support at 800-423-3555.

CHAIR ADAPTER INSTALLATION

STEP 1: Plug in chair to mains power.

STEP 2: Raise the chair base and back to full up position.

STEP 3: Unplug the chair from the mains power.

ℹ NOTE: Skip chair adapter installation and chair umbilical installation if chair is pretubed.

STEP 1: Position the chair adapter so that the lip of the chair rests underneath the lip of the washer. The mount will hold itself in place (FIG. 1).

STEP 2: Slide lip of the washer onto lip of the chair (FIG. 2).

STEP 3: Install the 15/16" mounting bolt loosely into the back of the mount and into the chair (FIG. 3).

STEP 4: Place a level on the chair adapter, parallel with and perpendicular to the chair center line.

STEP 5: Verify the chair adapter is level.

ℹ NOTE: If leveling is necessary, adjust the 3/16" set screws (3) until the unit chair adapter is level.

STEP 6: Tighten 15/16" mounting bolt (55 foot-pounds) (FIG. 4).

ℹ NOTE: Verify steps 4, 5 and 6 after unit and light are installed. Re-level if necessary.



FIG. 1:



FIG. 2:



FIG. 3:



FIG. 4:



CHAIR UMBILICAL INSTALLATION

STEP 1: Route umbilical between solenoid manifold and hydraulic fluid reservoir (FIG. 1).

STEP 2: Route umbilical up into lift frame (FIG. 2).

STEP 3: Route umbilical through umbilical guides (FIG. 3).

STEP 4: Route umbilical through back of chair up into chair casting (FIG. 4).

STEP 5: Feed umbilical out of chair casting up into chair adapter (FIG. 5).

STEP 6: Feed umbilical through chair adapter lower opening. Route through, up and out the umbilical slot (FIG. 6).

FIG. 1:

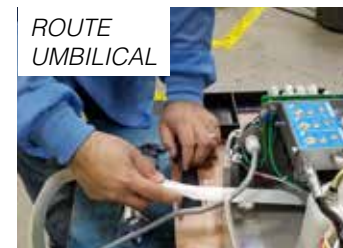


FIG. 3:

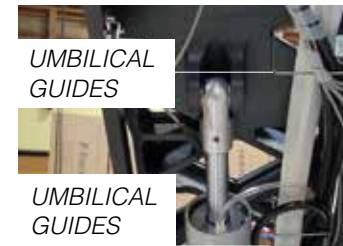


FIG. 5:

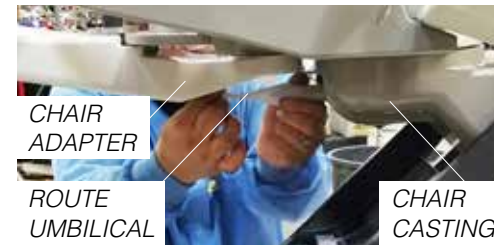


FIG. 6:



FIG. 2:



FIG. 4:



INSTALLING SIDEBOX DELIVERY

STEP 1: Using a 1/8" hex key remove sidebox side cover (FIG. 1).

STEP 2: Place sidebox on chair adapter over leveling socket.

STEP 3: Insert control/light post into leveling socket.

STEP 4: Level post with bubble level and adjust leveling screws accordingly using a 5/32" hex key.

STEP 5: Slide decorative collar over post (FIG. 2).

STEP 6: Install operatory light into light post. Route wire harness through and out post hole in the sidebox (FIG. 3).

FIG. 1:

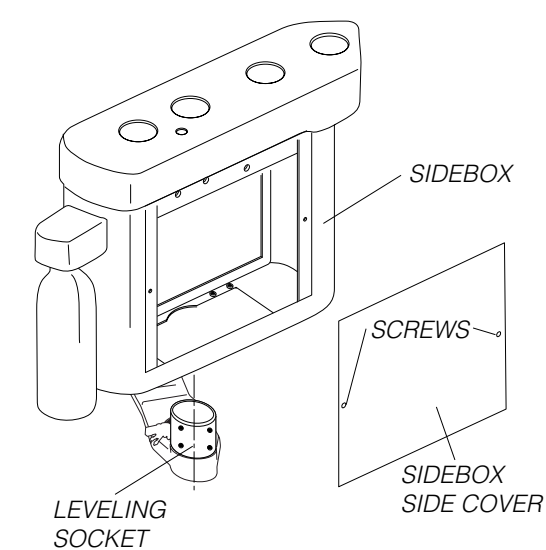


FIG. 2:

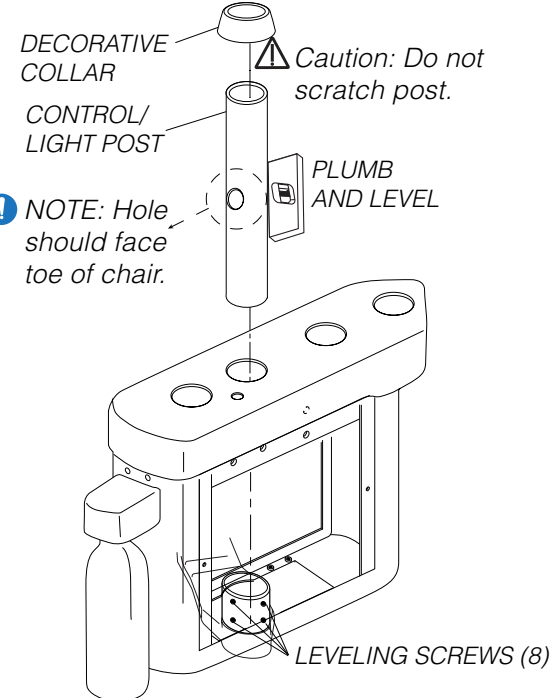
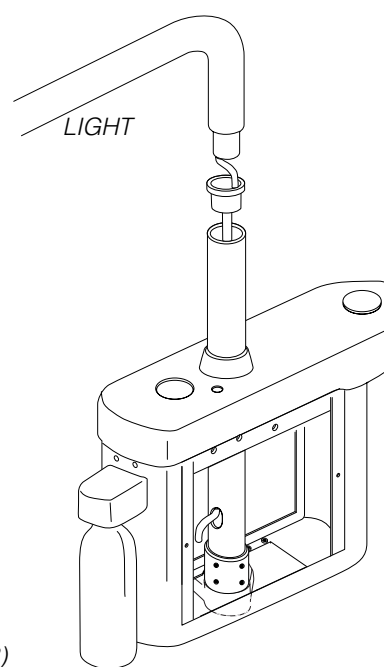


FIG. 3:



INSTALLING SIDEBOX DELIVERY (CONTINUED)

STEP 7: Insert doctor's delivery arm and umbilical into sidebox (FIG. 4).

STEP 8: Match and connect umbilical tubings, suction tubing, wire connectors and light harness with chair umbilical (FIG. 5).

STEP 9: Remove end cap and adjust flex arm tension to obtain counter balance of doctor's control head. Reinstall end cap (FIG. 6).

NOTE: When adjusted properly, the internal flex arm spring will retain the control head weight when the master switch is in the off position.

ASSISTANT'S INSTALLATION

STEP 1: Install the telescoping arm pin inside the 1/2" hole and hang the HVE, SE and syringe in the holder (FIG. 7).

NOTE: For international orders, see page 4.

STEP 2: Proceed to Cuspidors on page 4 if applicable.

FIG. 4:

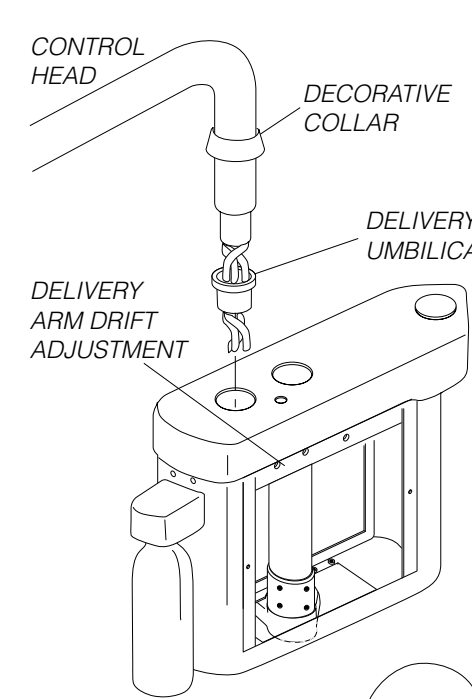


FIG. 5:

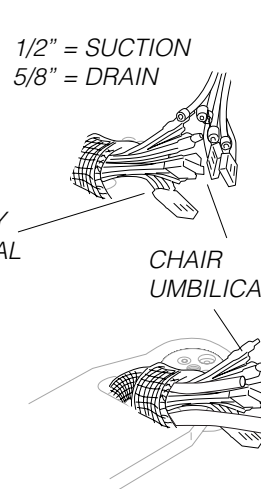


FIG. 7:

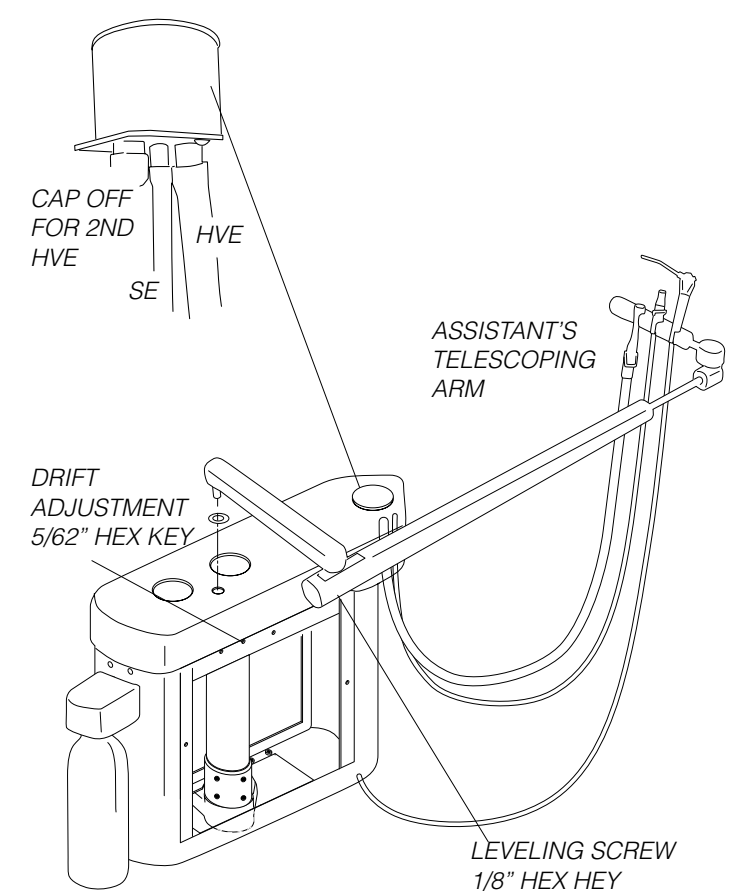


FIG. 6: END CAP 5/64" HEX KEY

5/16" HEX KEY

LEVELING SCREW 1/8" HEX KEY