

Forest DENTALEZ

ALERT SYMBOL KEY

The safety notices associated with the following should be given special attention when they appear in maintenance, operating and emergency procedures in the guide.

⚠ WARNING indicates that the personal safety of the patient, end user or technician could be compromised by disregarding the WARNING. Not following instructions may result in an injury.

⚠ CAUTION indicates that a particular procedure or precaution must be followed to avoid system irregularity or possible damage to the product.

! NOTE indicates special information to improve the ease of maintaining the product, or to clarify important information.

⚠ WARNING: We recommend consulting a licensed professional, I.E. Structural or Architectural Engineer when attaching a delivery to the building structure. If installing the delivery on a cabinet, shelf or other furniture alternative, take extra precaution to assure the apparatus is structurally sound and secured to the building structure to support the delivery weight preventing detachment or tipping resulting in injury. Forest™ is not liable for injury resulting from improper installation.

⚠ CAUTION: Field modifications that alter the electrical and/or mechanical safety of Forest products conflict with agency construction file requirements and are not sanctioned by Forest.

⚠ CAUTION: Recommended and provided mounting hardware may not be suitable for your specific installation. Please use caution when selecting hardware to avoid possible damage. Forest is not liable for damage due to hardware choice.

! NOTE: Installation Verification: Refer to Operator's Guide and perform all operations. If operations performing as intended installation complete. If operations not performing as intended, review steps in installation instructions to confirm correct installation or call Technical Support at 800-423-3555.

Tools Required: 1/8", 7/32" and 5/16" Allen Wrench, and Bubble Level.

BENEATH COUNTER MOUNT

Mounting Hardware Included: 3/8-16 x 7/8" Socket Button Head Grade 8 Screws, 4 each.

STEP 1: Mount heavy duty plate under countertop (FIG. 1).

STEP 2: Attach arm to heavy duty mounting plate (FIG. 2).

STEP 3: Install clean water system bottle (FIG. 3).

STEP 4: Installation complete.

BENEATH COUNTER PLATE, 11" X 14.5"

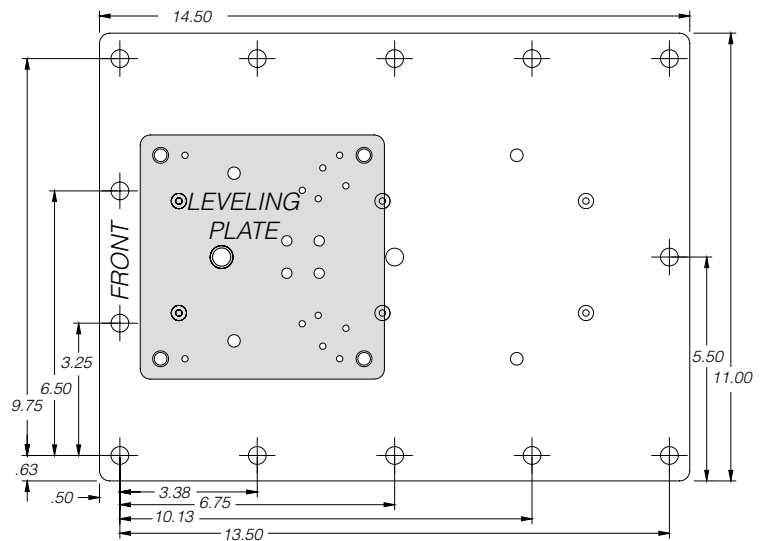


FIG. 1:

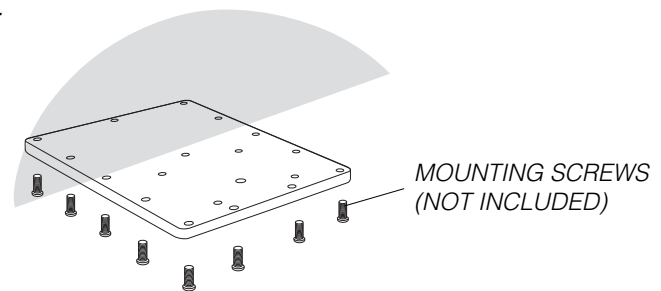


FIG. 2:

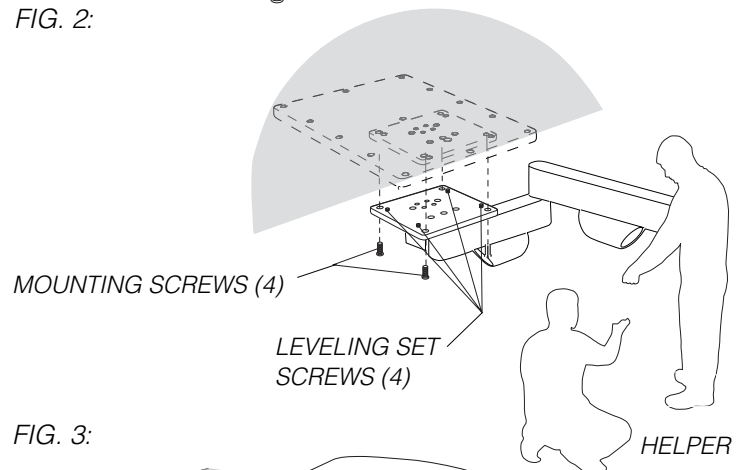
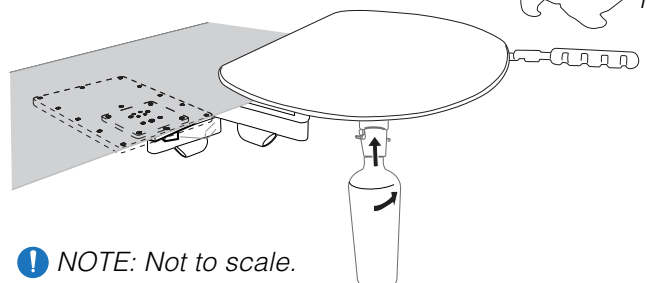


FIG. 3:



! NOTE: Not to scale.

WALL MOUNT

Mounting Hardware Included: 3/8-16 x 1-1/4" Socket Button Head Screws, 4 each.

! NOTE: A 20" mounting height from the floor will result in the unit work surface having a height of 34" from the floor. Check with the operator to ensure the installation is acceptable.

STEP 1: Mount large 16" x 18" plate on wall (FIG. 1). If wall mount plate is not needed, proceed to step 2.

STEP 2: Attach 6" x 6" mounting plate (FIG. 2).

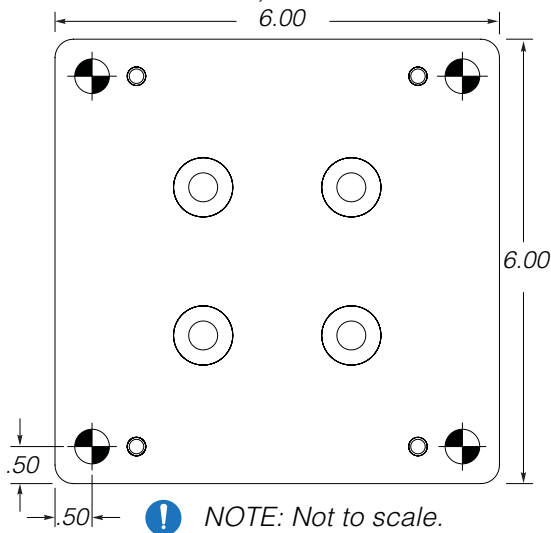
STEP 3: Install arm knuckle into plate hub (FIG. 3).

! NOTE: For control head leveling refer to page 1.

STEP 4: Install clean water system bottle (FIG. 3).

STEP 5: Installation complete.

MOUNTING PLATE, 6" X 6"



WALL MOUNT PLATE (METAL POWDER COATED), 16" X 18" LAMINATE, 18" X 23.75"

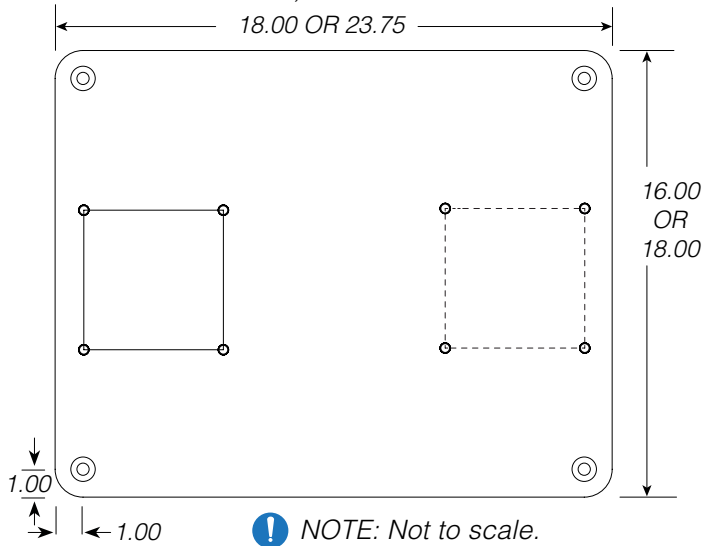


FIG. 1:

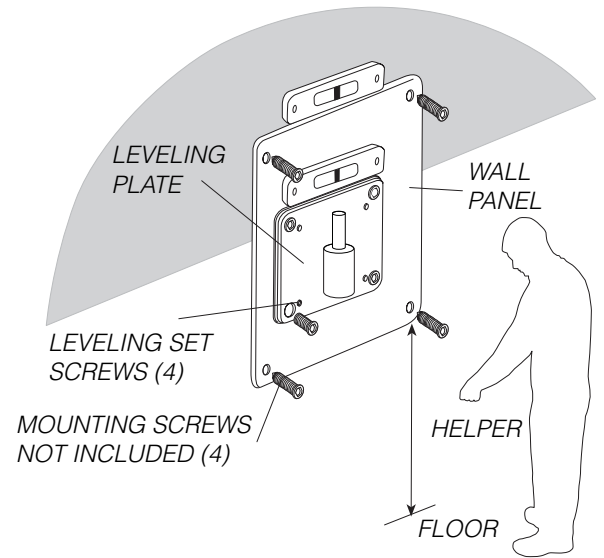


FIG. 2:

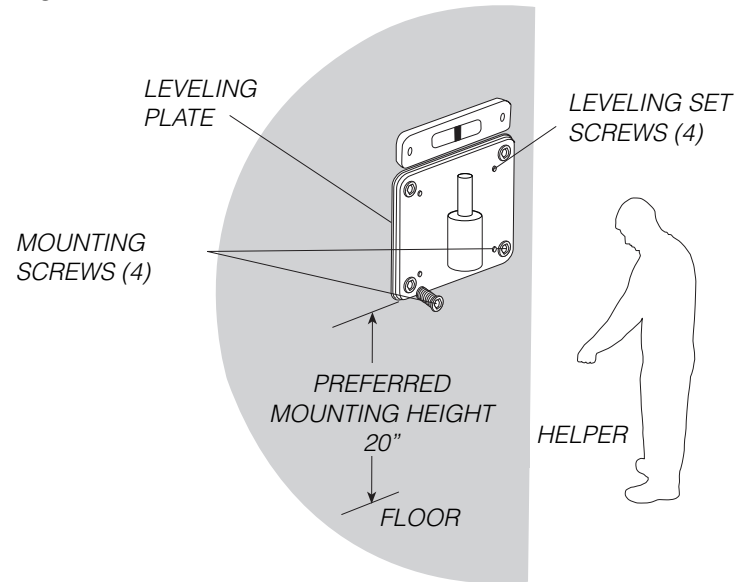


FIG. 3:

