

Forest DENTALEZ

ALERT SYMBOL KEY

The safety notices associated with the following should be given special attention when they appear in maintenance, operating and emergency procedures in the guide.

⚠ WARNING indicates that the personal safety of the patient, end user or technician could be compromised by disregarding the WARNING. Not following instructions may result in an injury.

⚠ CAUTION indicates that a particular procedure or precaution must be followed to avoid system irregularity or possible damage to the product.

! NOTE indicates special information to improve the ease of maintaining the product, or to clarify important information.

! NOTE: Installation Verification: Refer to Operator's Guide and perform all operations. If operations performing as intended installation complete. If operations not performing as intended, review steps in installation instructions to confirm correct installation or call Technical Support at 800-423-3555.

STEP 1: Peel paper backing from the adhesive strip (FIG. 1).

STEP 2: With opening facing toe of chair, press remote holder onto recessed area underneath armrest support for 30 seconds.

STEP 3: Insert remote into holder (FIG. 2).

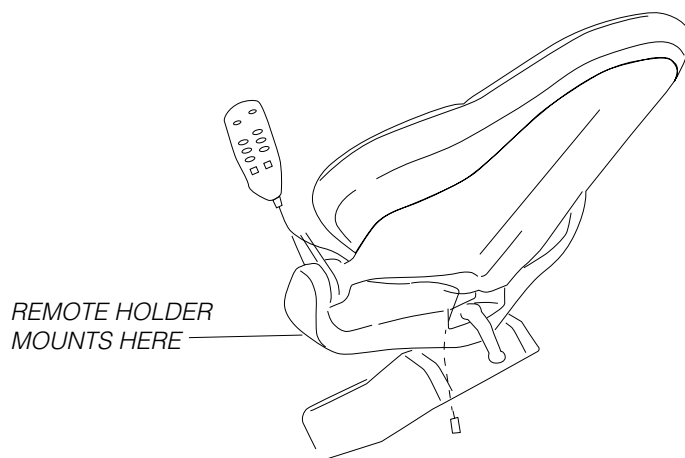


FIG. 1:

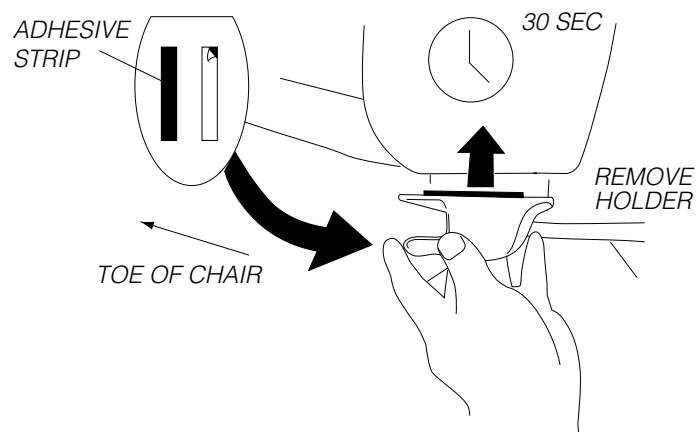


FIG. 2:

