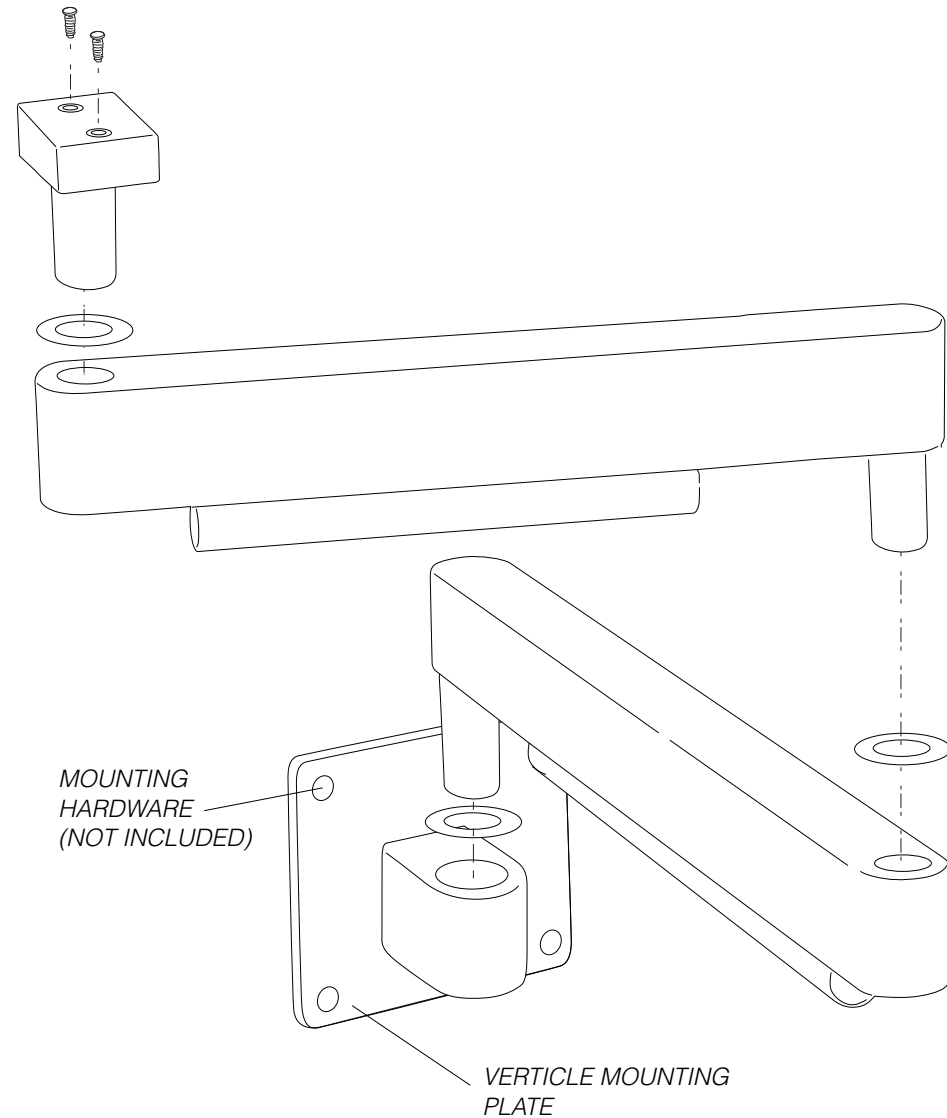


FOLDING ARM MOUNT OPTION (1110-115)

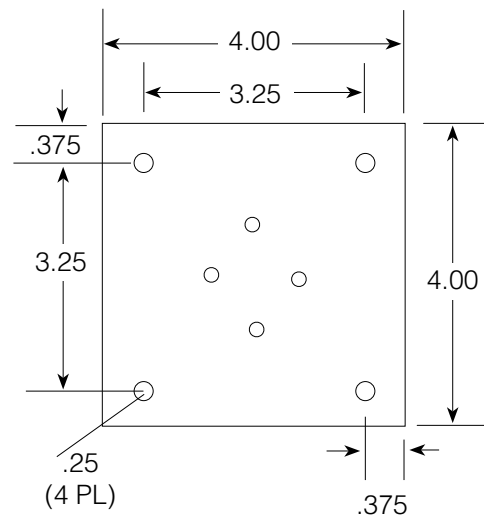
Tools Required: 5/16" and 5/32" Allen Wrench
 Recommended Hardware: 10-32 x 3/4 Socket Cap Head, Stainless Steel, 4 each

STEP 1: Install vertical mounting plate on wall or cabinet (FIG. 1).

FIG. 1:



VERTICAL MOUNTING PLATE DIMENSIONS



NOTE: Not to scale.

REAR/SIDE CABINET/WALL DELIVERY

Forest DENTALEZ

INSTALLATION INSTRUCTION

ALERT SYMBOL KEY

The safety notices associated with the following should be given special attention when they appear in maintenance, operating and emergency procedures in the guide.

WARNING indicates that the personal safety of the patient, end user or technician could be compromised by disregarding the WARNING. Not following instructions may result in an injury.

CAUTION indicates that a particular procedure or precaution must be followed to avoid system irregularity or possible damage to the product.

NOTE indicates special information to improve the ease of maintaining the product, or to clarify important information.

WARNING: We recommend consulting a licensed professional, I.E. Structural or Architectural Engineer when attaching a delivery to the building structure. If installing the delivery on a cabinet, shelf or other furniture alternative, take extra precaution to assure the apparatus is structurally sound and secured to the building structure to support the delivery weight preventing detachment or tipping resulting in injury. Forest™ is not liable for injury resulting from improper installation.

CAUTION: Field modifications that alter the electrical and/or mechanical safety of Forest products conflict with agency construction file requirements and are not sanctioned by Forest.

CAUTION: Recommended and provided mounting hardware may not be suitable for your specific installation. Please use caution when selecting hardware to avoid possible damage. Forest is not liable for damage due to hardware choice.

NOTE: Installation Verification: Refer to Operator's Guide and perform all operations. If operations performing as intended installation complete. If operations not performing as intended, review steps in installation instructions to confirm correct installation or call Technical Support at 800-423-3555.

CABINET AND WALL MOUNT SIDE DELIVERY (1110-376)

Mounting Hardware Included: 3/8-16" x 1" Butt Socket Cap 18-8 S/S, 4 each; 3/8-16" x 7/16" Tee Nut, 4 prong, Zinc, 4 each.

NOTE: Select a mounting location based on the following requirements: Reach of the unit arm to allow the operator as much flexibility as possible in positioning the delivery. Clearance between the rigid arm, its hub and any possible obstructions. Location of the air, water and electrical supplies for the delivery.

NOTE: Hub bushing, top post mount, 2.502 +/- .002 ID

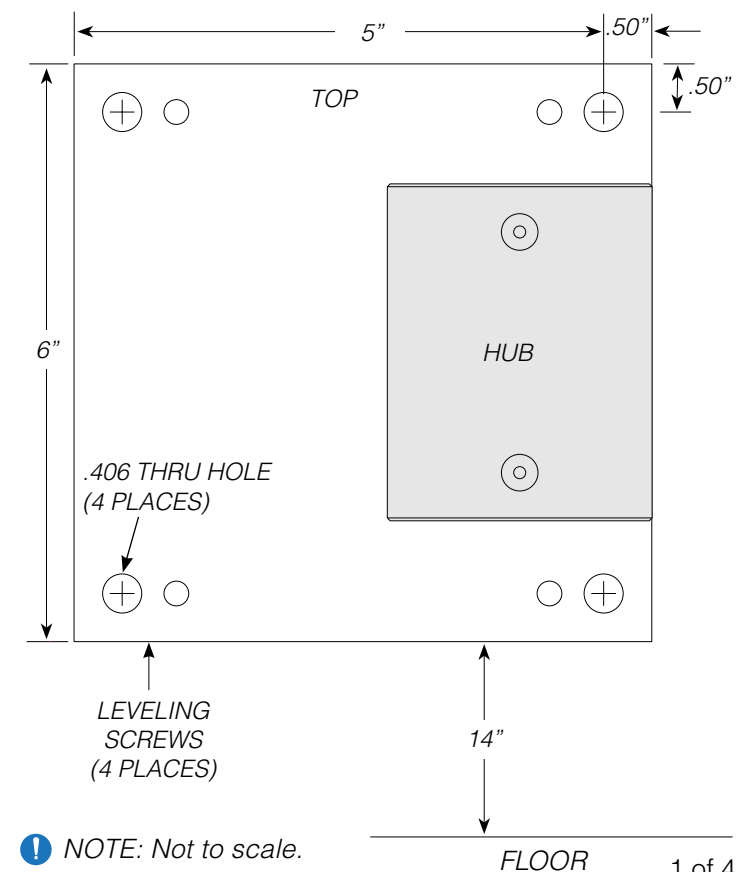
NOTE: A 14" mounting height from the floor will result in the delivery work surface having a range of 15-1/4" to 34-1/4" from the floor for the Standard IC Control; and 16" to 35" for the Value Control. Check with the doctor to ensure the installation is acceptable.

STEP 1: Install vertical leveling and mounting plate on wall or cabinet (FIG. 1).

FIG. 1:



VERTICAL MOUNTING PLATE DIMENSIONS



NOTE: Not to scale.

MT TOP SHELF MOUNT

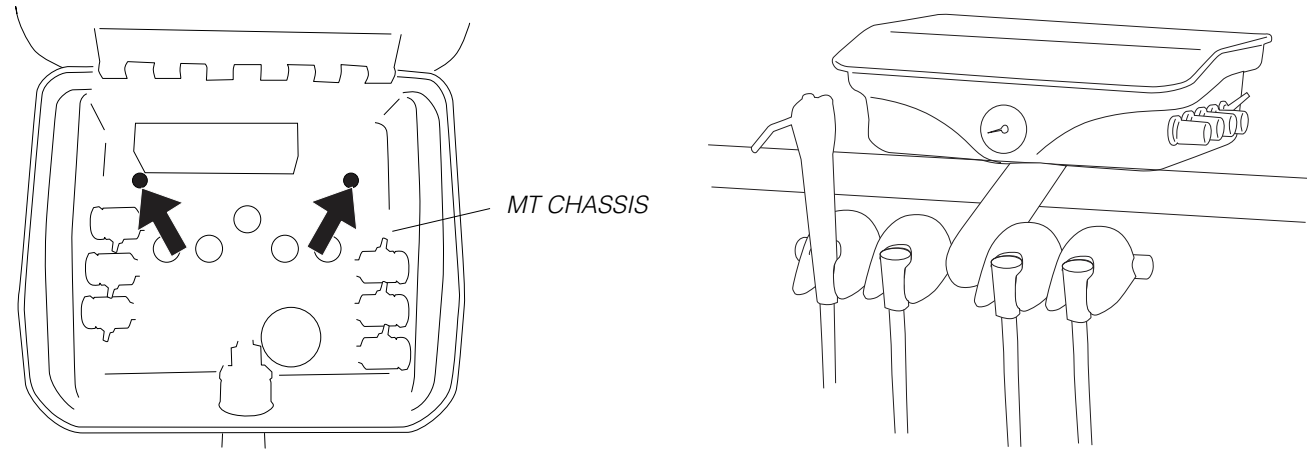
Tools Required: Phillips Screw Driver, Tape Measure

NOTE: Determine mounting location (bottom of MT is flush with surface).

STEP 1: Secure MT chassis to top of cabinet/shelf surface with 2 screws (FIG. 1).

NOTE: mounting hardware not included.

FIG. 1:



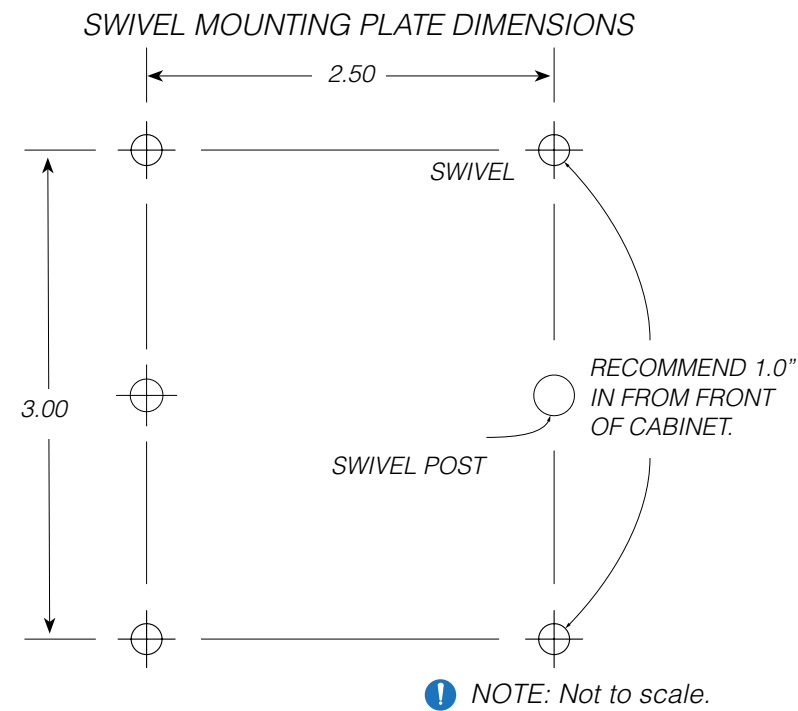
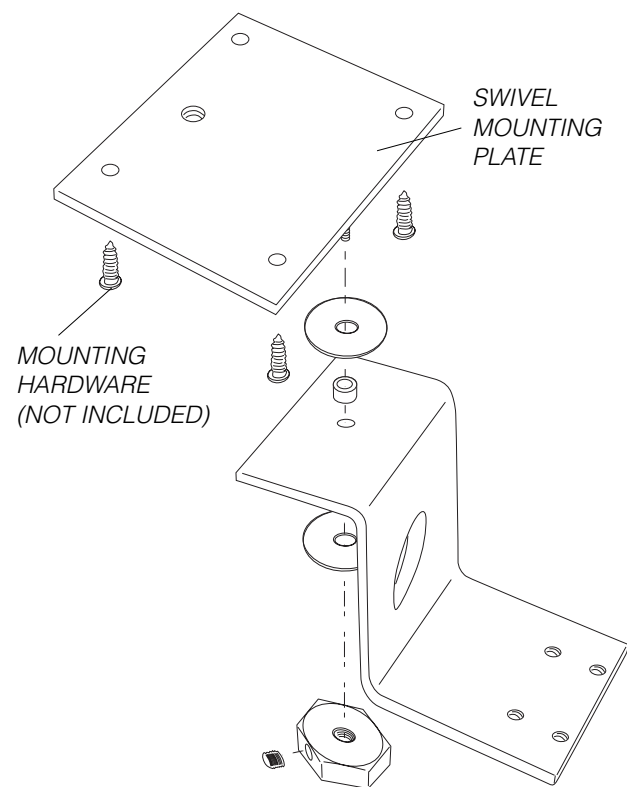
BENEATH SHELF SWIVEL MOUNT (1700-150)

Tools Required: 3/32" Allen Wrench and 1" Hex Wrench

Recommended Hardware: #10 x 3/4" Sheet Metal Screw, Phillips Pan Head, 4 each.

STEP 1: Install swivel mounting plate under cabinet/shelf surface (FIG. 1).

FIG. 1:



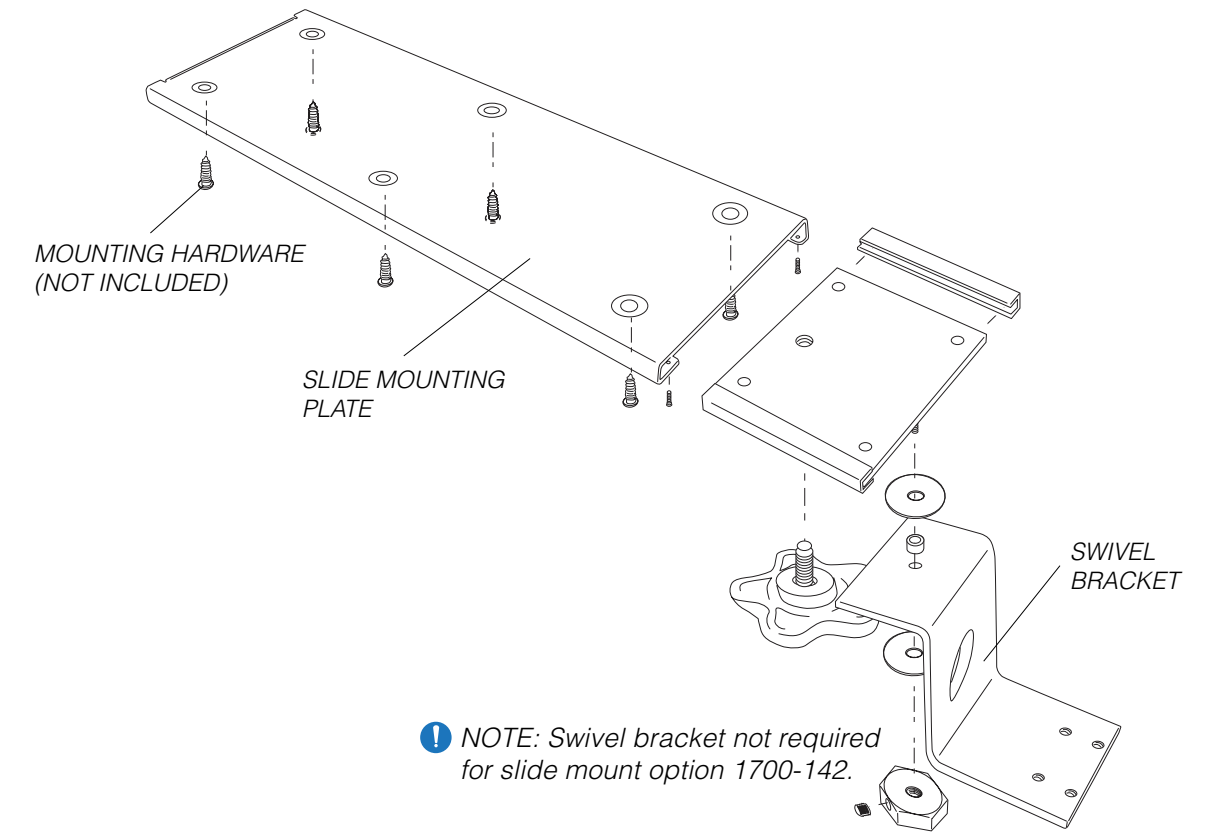
BENEATH SHELF SLIDE/SWIVEL MOUNT OPTION (1700-140 / 1700-142)

Tools Required: 3/32" Allen Wrench and 1" Hex Wrench

Recommended Hardware: #8 x 1" Sheet Metal Screw, Phillips Pan Head, 6 each.

STEP 1: Secure MT chassis to top of cabinet/shelf surface with 2 screws (FIG. 1).

FIG. 1:



SLIDE MOUNTING PLATE DIMENSIONS

