

### ALERT SYMBOL KEY

The safety notices associated with the following should be given special attention when they appear in maintenance, operating and emergency procedures in the guide.

**⚠ WARNING** indicates that the personal safety of the patient, end user or technician could be compromised by disregarding the WARNING. Not following instructions may result in an injury.

**⚠ CAUTION** indicates that a particular procedure or precaution must be followed to avoid system irregularity or possible damage to the product.

**ℹ NOTE** indicates special information to improve the ease of maintaining the product, or to clarify important information.

**⚠ CAUTION:** Field modifications that alter the electrical and/or mechanical safety of Forest™ products conflict with agency construction file requirements and are not sanctioned by Forest.

**ℹ NOTE:** Installation Verification: Refer to Operator's Guide and perform all operations. If operations performing as intended installation complete. If operations not performing as intended, review steps in installation instructions to confirm correct installation or call Technical Support at 800-423-3555.

Tools Required: 5/32", 3/16", 1/8", 5/16" Allen Wrench and Bubble Level.

### INSTALLING SIDEBOX DELIVERY

**STEP 1:** Using a 1/8" hex key remove sidebox side cover (FIG. 1).

**STEP 2:** Place sidebox on chair adapter over leveling socket.

**STEP 3:** Insert control/light post into leveling socket (FIG. 2).

**STEP 4:** Level post with bubble level and adjust leveling screws accordingly using a 5/32" hex key.

**STEP 5:** Slide decorative collar over post.

FIG. 1:

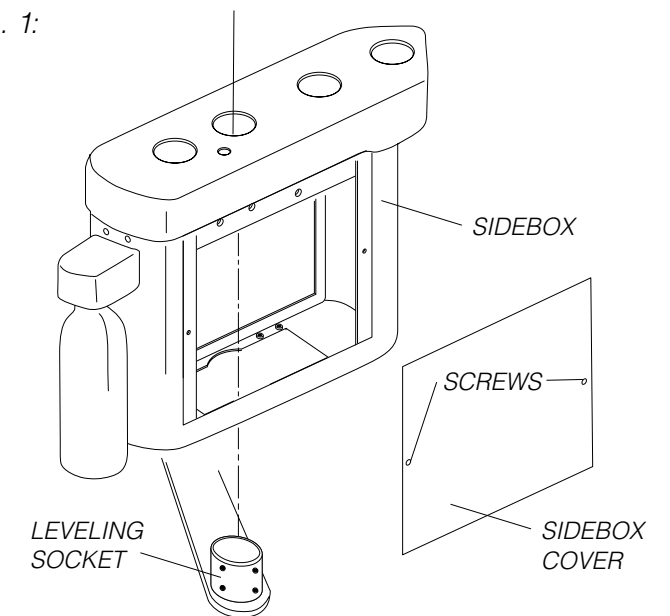
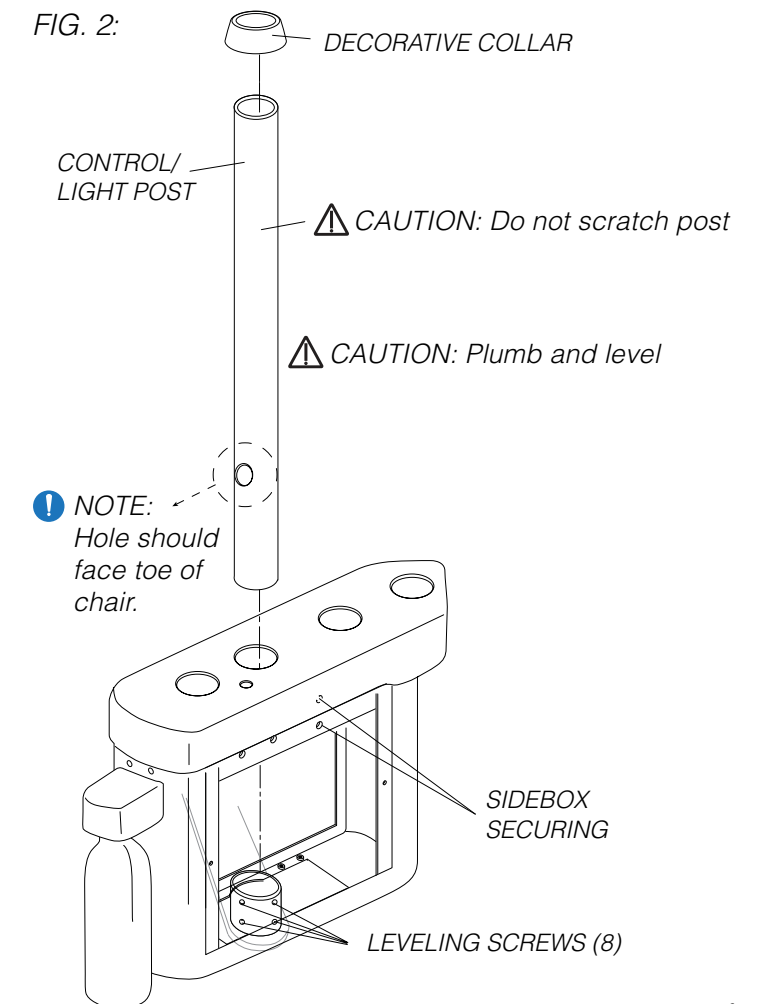


FIG. 2:



## INSTALLING SIDEBOX DELIVERY (CONTINUED)

**STEP 6:** Install bushing and operatory light into light post. Route wire harness through and out post hole into sidebox (FIG. 3).

**NOTE:** If monitor assembly was ordered, refer to the monitor mount installation instruction.

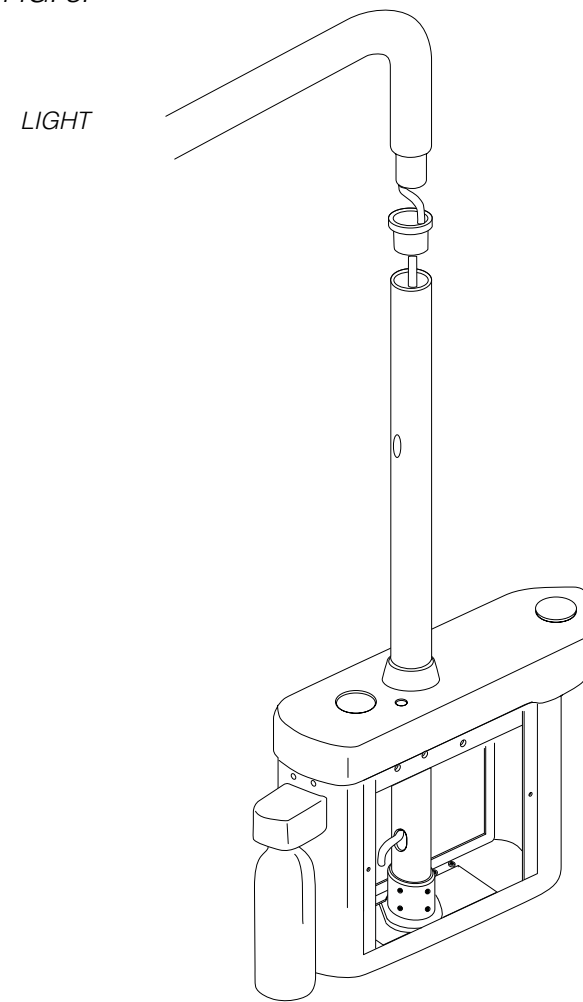
**STEP 7:** Insert doctor's delivery arm and umbilical into sidebox (FIG. 4).

**STEP 8:** Match and connect umbilical tubings, suction tubing, and wire connectors with lower umbilical.

**STEP 9:** Remove end cap and adjust flex arm tension to obtain counter balance of doctor's control head. Reinstall end cap (FIG. 5).

**NOTE:** When adjusted properly, the internal flex arm spring will retain the control head weight when the master switch is in the off position.

FIG. 3:



## ASSISTANT'S INSTALLATION

**STEP 1:** Install the telescoping arm pin inside the 1/2" hole and hang the HVE, SE and syringe in the holder (FIG. 6).

FIG. 6:

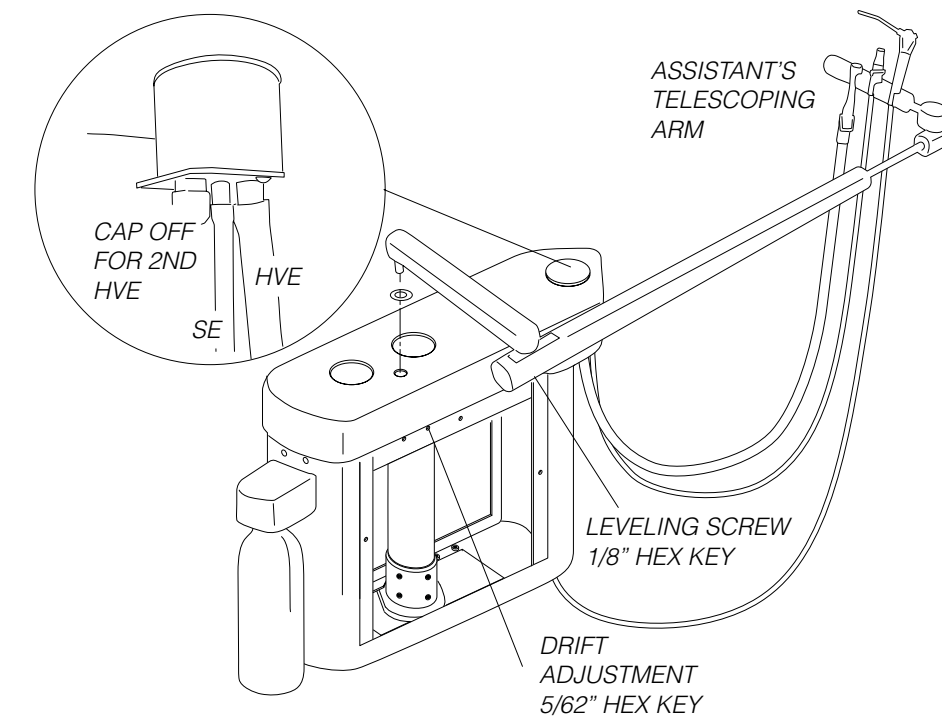


FIG. 4:

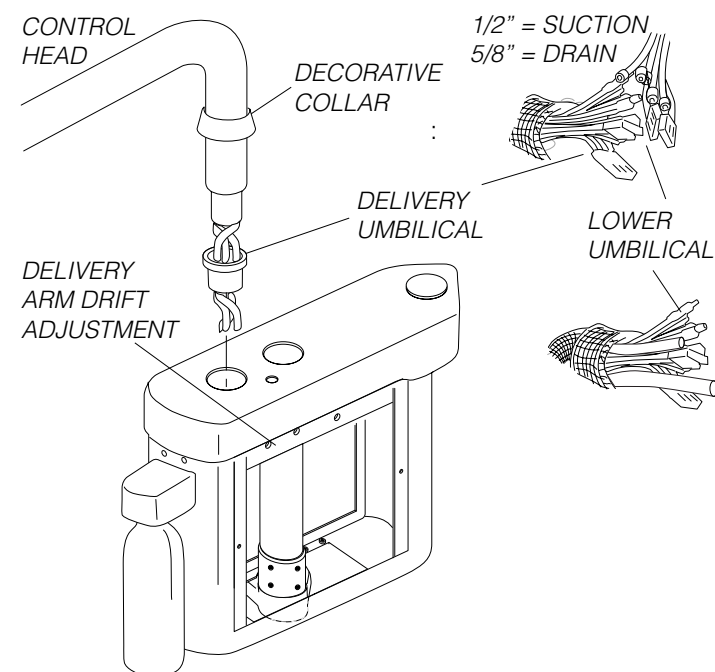
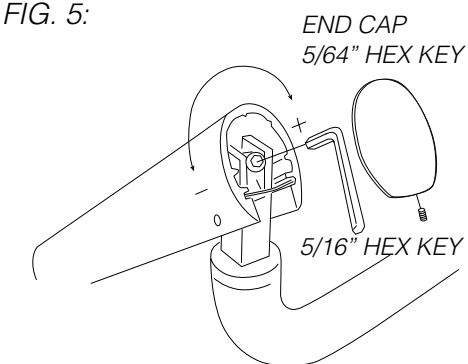


FIG. 5:



## CUSPIDOR INSTALLATION

**STEP 1:** If applicable install the cuspidor with bushing into the sidebox (FIG. 1-1.2).

**STEP 2:** Route and connect the drain tubing (FIG. 1.2).

FIG. 1: DELUXE

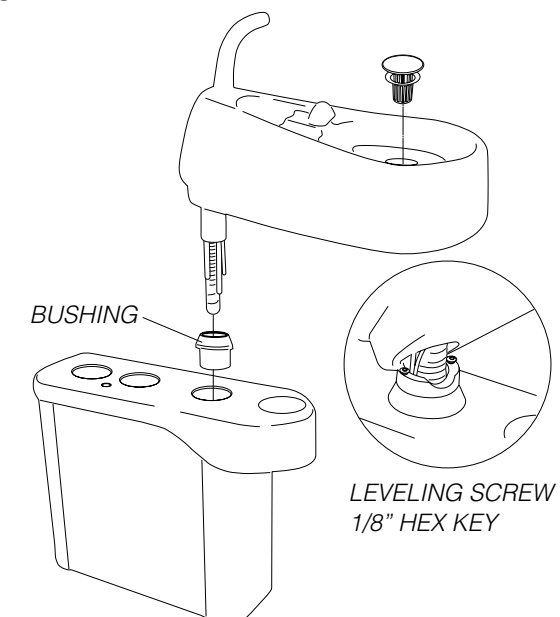


FIG. 1.2: BASIC

