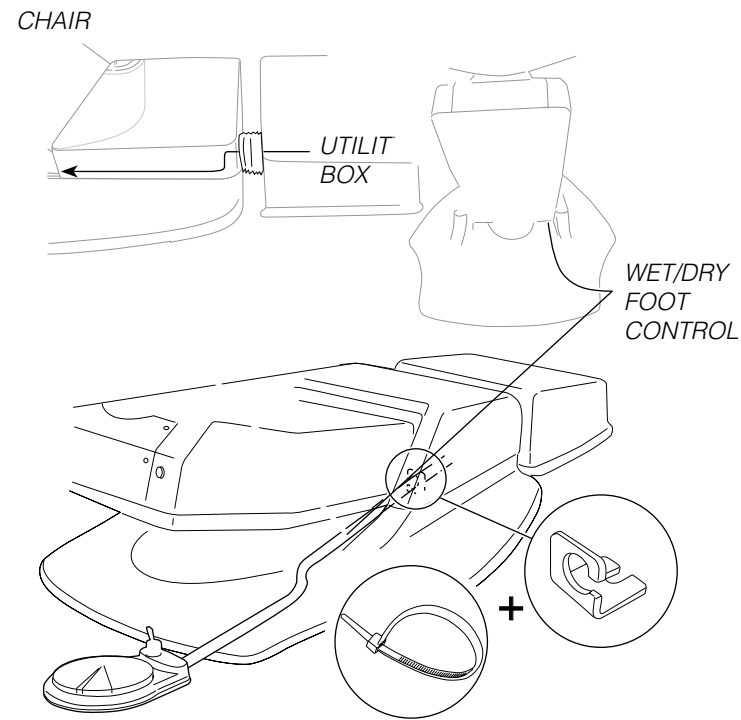
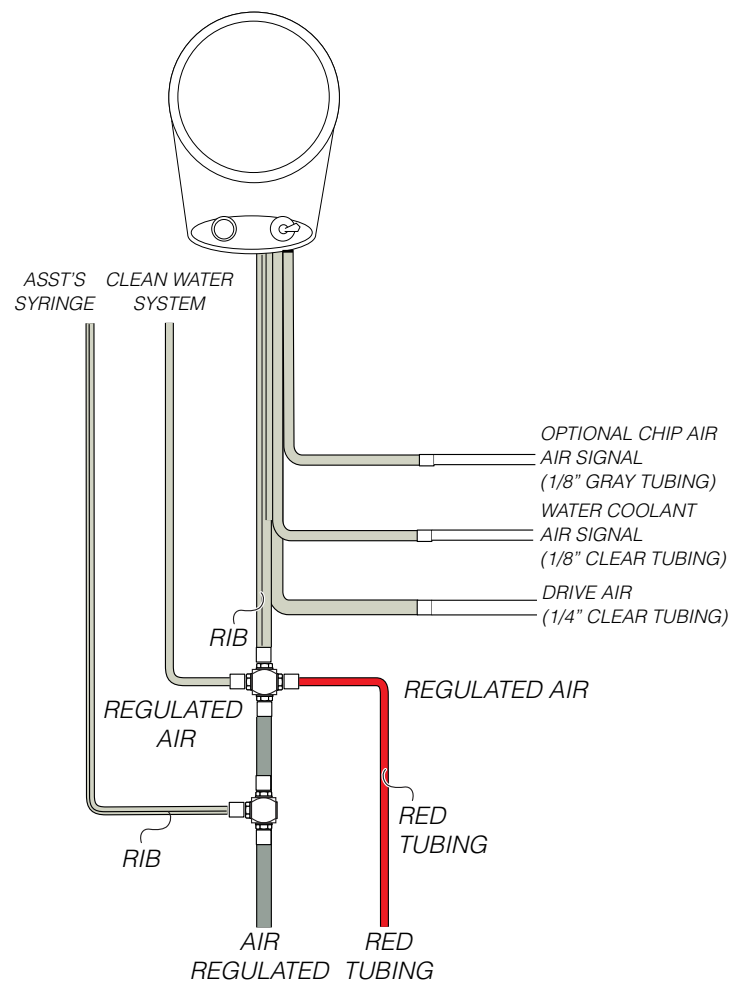


FOOT CONTROL INSTALLATION



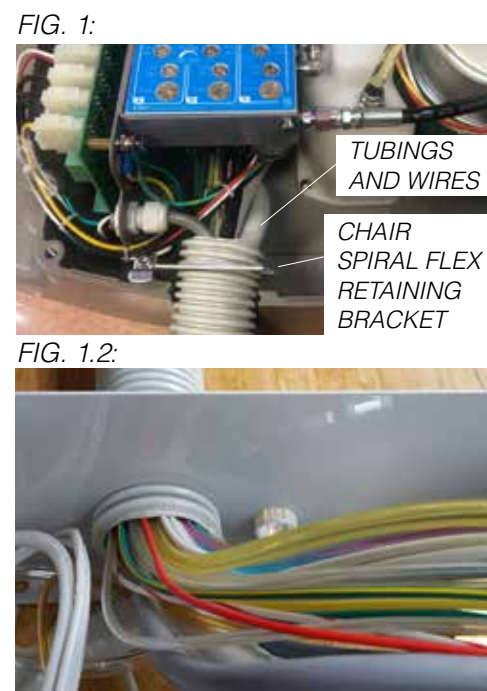
NOTE: For tubing connections, refer to Utilities and Foot Control schematic.



ROUTING TUBING AND WIRES TO UTILITY CENTER

STEP 1: Route tubing and wires through spiral flex tubing into utility center (FIG. 1-1.2).

STEP 2: Reinstall chair covers by reversing steps 1-11 on pages 1 and 2.



FUSION PIVOT DELIVERY SYSTEM
Forest
DENTALEZ

INSTALLATION
INSTRUCTION

ALERT SYMBOL KEY

The safety notices associated with the following should be given special attention when they appear in maintenance, operating and emergency procedures in the guide.

WARNING indicates that the personal safety of the patient, end user or technician could be compromised by disregarding the WARNING. Not following instructions may result in an injury.

CAUTION indicates that a particular procedure or precaution must be followed to avoid system irregularity or possible damage to the product.

NOTE indicates special information to improve the ease of maintaining the product, or to clarify important information.

CAUTION: To avoid electrostatic discharge (ESD) damage to electronics, always wear grounded wrist strap attached to a ground adapter (eg: Banana or Grounding plug) when handling circuit boards, chair controls, and cables or working in the area of electrical circuits.

CAUTION: Field modifications that alter the electrical and/or mechanical safety of Forest™ products conflict with agency construction file requirements and are not sanctioned by Forest.

NOTE: Installation Verification: Refer to Operator's Guide and perform all operations. If operations performing as intended installation complete. If operations not performing as intended, review steps in installation instructions to confirm correct installation or call Technical Support at 800-423-3555.

Tools Required: Standard and Metric Hex Key Set, Torque Wrench with Sockets, Wrench Set, Flat Head Screwdriver and Nitrile Gloves.

REMOVING CHAIR COVERS

STEP 1: Position the chair's back and base in the fully up position.

STEP 2: Disconnect chair from mains power.

STEP 3: Using a 1/8" hex key, remove the screws (2) on the sides of the pump cover (FIG. 1).

STEP 4: Lift back corner and slide pump cover forward to disengage tabs from brackets and remove (FIG. 2-2.1).

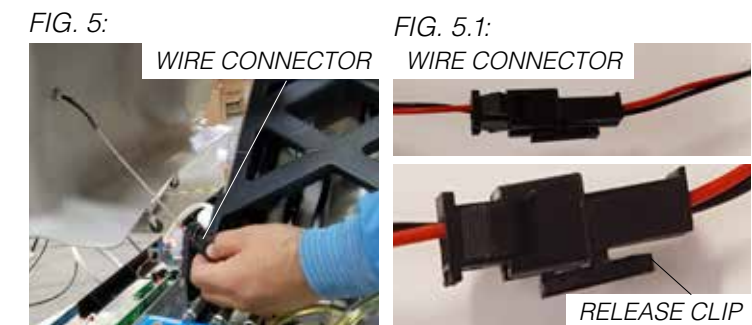
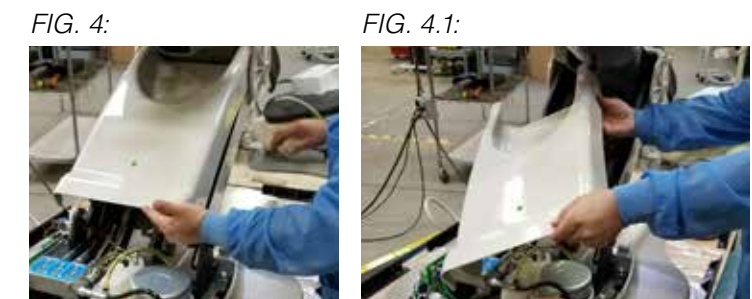
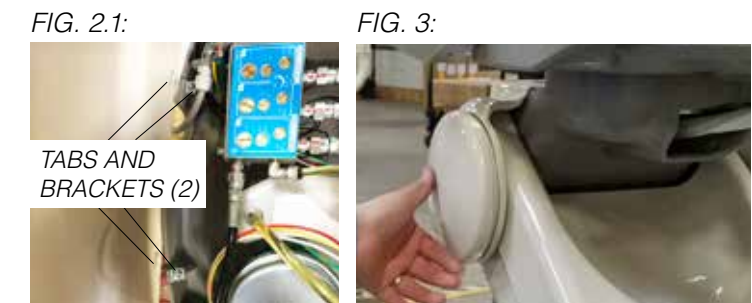
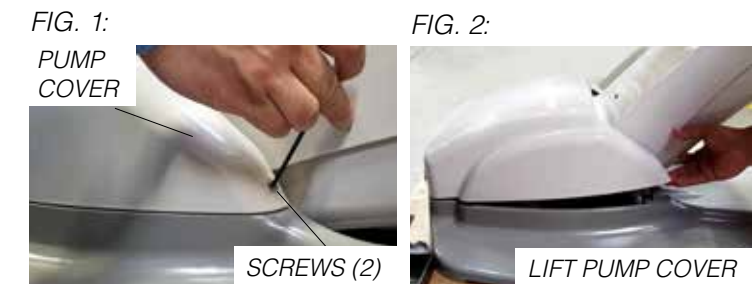
STEP 5: Turn rear side covers (2) counter clockwise to remove and set aside (FIG. 3).

NOTE: Skip steps 5-11 if chair is pretubed and refer to the Fusion Pivot Chair Adapter, Delivery & Light Installation Instruction for delivery and light bearing assembly instructions.

STEP 6: Lift upper cantilever cover off the chair lift frame (FIG. 4-4.1).

STEP 7: Disconnect indicator wire connector by pressing the release clip (FIG. 5-5.1).

CAUTION: A wire is connected to the indicator light. Be sure not to pull cover completely off before performing step 7.



REMOVING CHAIR COVERS (CONTINUED)

STEP 8: Using a 5/32" hex key, remove the screws (2) on the side covers (FIG. 6).

STEP 9: Remove upper rear cover (FIG. 7).

CAUTION: A wire is connected to the memory button. Be sure not to pull cover completely off before performing the next step.

STEP 10: Disconnect the memory button wire connector by pressing the release clip. Remove upper rear cover (FIG. 8).

STEP 11: Using both hands, spread the safety stop plate and pull outward to lift cover over bolts (FIG. 8.1).

FIG. 6:



FIG. 8:

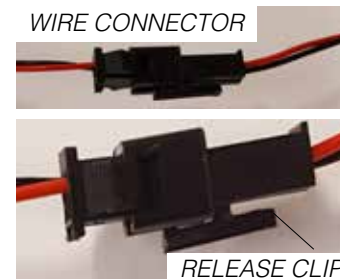


FIG. 7:



FIG. 8.1:



CHAIR UMBILICAL INSTALLATION

STEP 1: Route umbilical between solenoid manifold and hydraulic fluid reservoir (FIG. 1).

STEP 2: Route umbilical up into lift frame (FIG. 2).

STEP 3: Route umbilical through umbilical guides (FIG. 3).

STEP 4: Route umbilical through back of chair up into chair casting (FIG. 4).

STEP 5: Feed umbilical out of chair casting up into chair adapter (FIG. 5).

STEP 6: Feed umbilical through chair adapter lower opening. Route through, up and out the umbilical slot (FIG. 6).

FIG. 1:



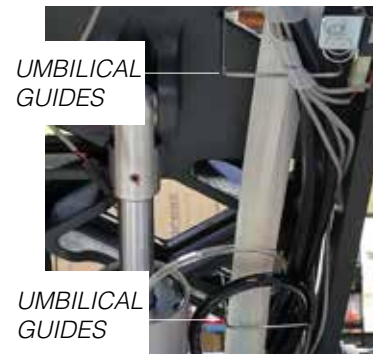
ROUTE
UMBILICAL

FIG. 2:



ROUTE
UMBILICAL

FIG. 3:



UMBILICAL
GUIDES

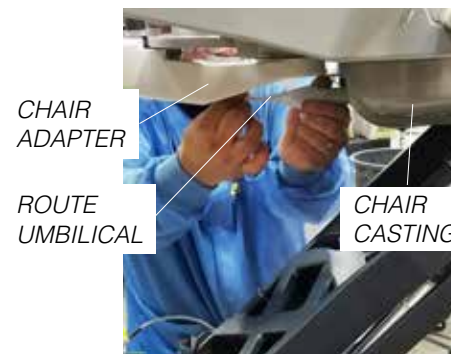
UMBILICAL
GUIDES

FIG. 4:



Chair
casting

FIG. 5:



CHAIR
ADAPTER

ROUTE
UMBILICAL

CHAIR
CASTING

FIG. 6:



UMBILICAL
SLOT

LOWER
OPENING

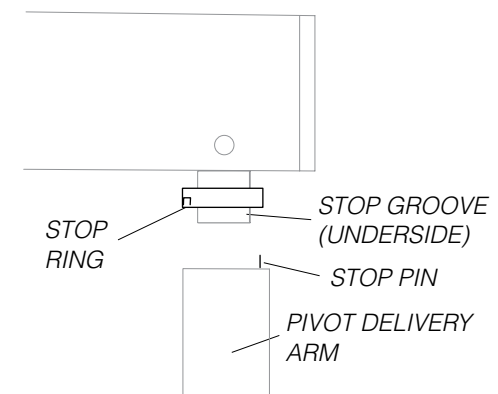
DELIVERY FLEX ARM INSTALLATION

STEP 1: Install the delivery flex arm while routing the delivery umbilical from the flex arm through the pivot delivery arm exiting under the chair seat.

NOTE: When installing the flex arm ensure the stop ring groove is facing opposite the chair and seated over the stop pin.

STEP 2: If applicable, route the control head mounted assistant's instrumentation drain/suction line into the pivot delivery arm slot exiting under the chair seat.

FIG. 2:



UMBILICAL TUBING AND WIRE CONNECTIONS

STEP 1: Pair and connect designated numbers following with color matching using the connectors installed on the umbilical tubings and wires (FIG. 1).

STEP 2: Connect the light/monitor cable connector (FIG. 2).

STEP 3: Cover the umbilical tubings and wires with the mesh cable cover (FIG. 2).

FIG. 1:

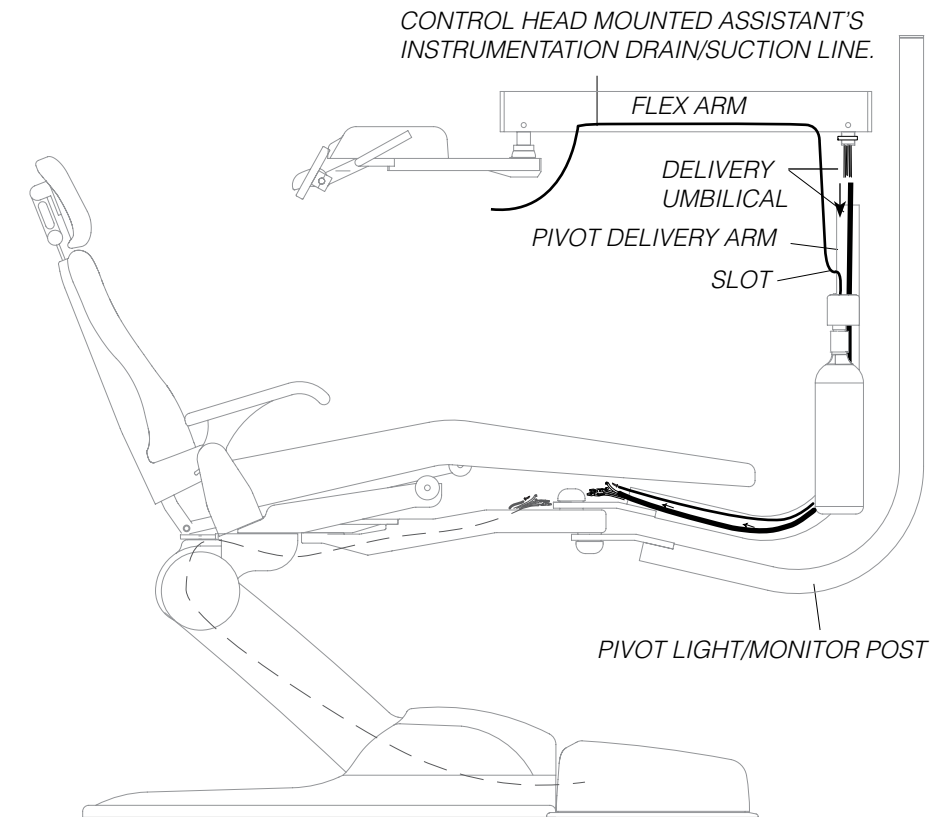


FIG. 1:

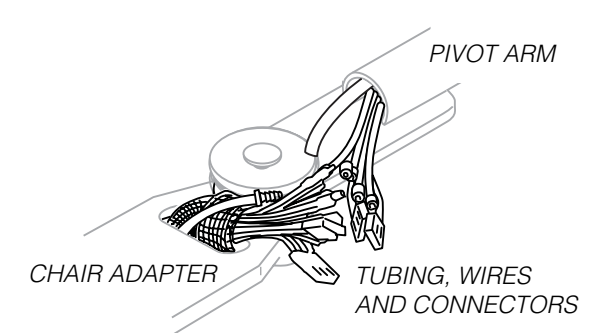


FIG. 2:

