

Forest

DENTALEZ

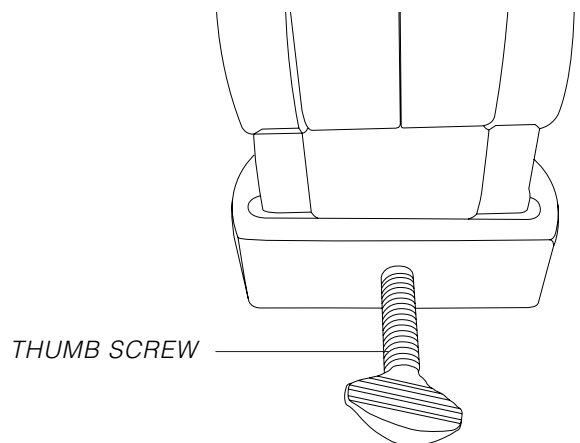
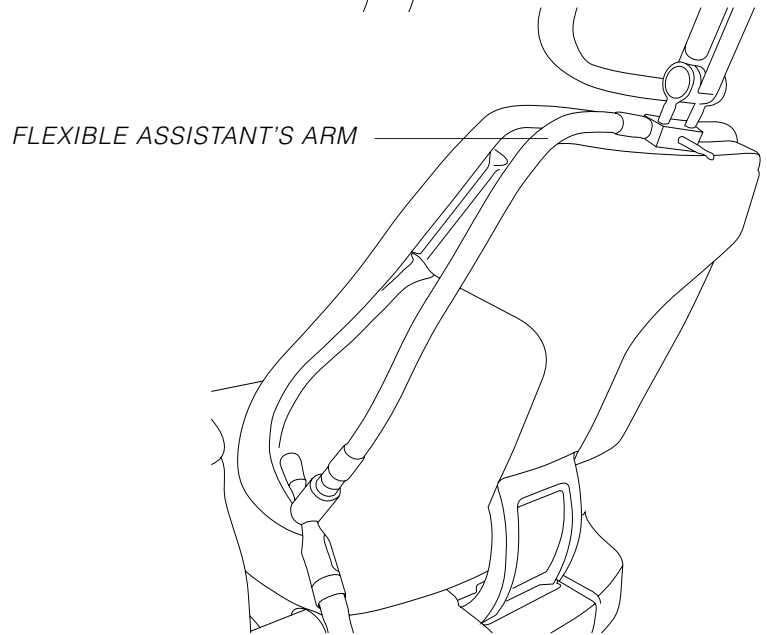
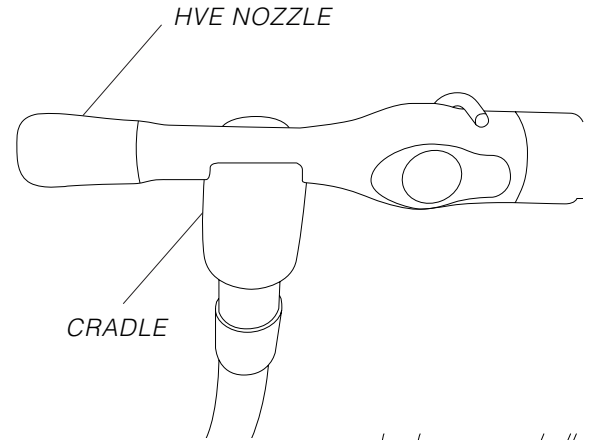
HANDS-FREE HVE

STEP 1: Snap HVE nozzle into cradle.

STEP 2: Flexible assistant's arm will drape behind chair.

STEP 3: Turn thumb screw right to tighten and left to loosen.

⚠ WARNING: Thumb screw should face away from patient.



⚠ WARNING: Refer to Forest Operatory Equipment Asepsis and HVE/SE Reprocessing and Maintenance Operator's Guide for infection control procedures.

⚠ CAUTION: HVE should not be resting in cradle while patient is being positioned for treatment or exiting chair.