

Master Water Control Valve, (24V AC)

WC - 110 (1/2" pipe); WC - 210/230 (3/4" pipe); WC - 300 (1" pipe)

The RAMVAC® master water control valve makes it easy to shut off the water supply to the suite and safeguard against leaks from any equipment. Simply flip the switch to "OFF" when closing down for the night. The master water control valve can be wired to any standard 24V AC control signal from a compressor/vacuum pump or with a separately supplied switch using the 24V AC transformer provided. For use on new or existing installations, the valve is available in 1/2", 3/4", and 1" diameter outlet pipe sizes.

NOTICE

Master Water Control System not designed for use in water with high mineral content. If high mineral water content is present, DentalEZ® recommends a water softening treatment to prolong life of product.

Specifications

Model	WC-110	WC-210	WC-230	WC-300
Pipe size	1/2"	3/4"	3/4"	1"
Height	21"	23"	28"	24"
Width	15-1/2"	17-1/2"	23-1/2"	23-1/2"

Replacement Part Numbers

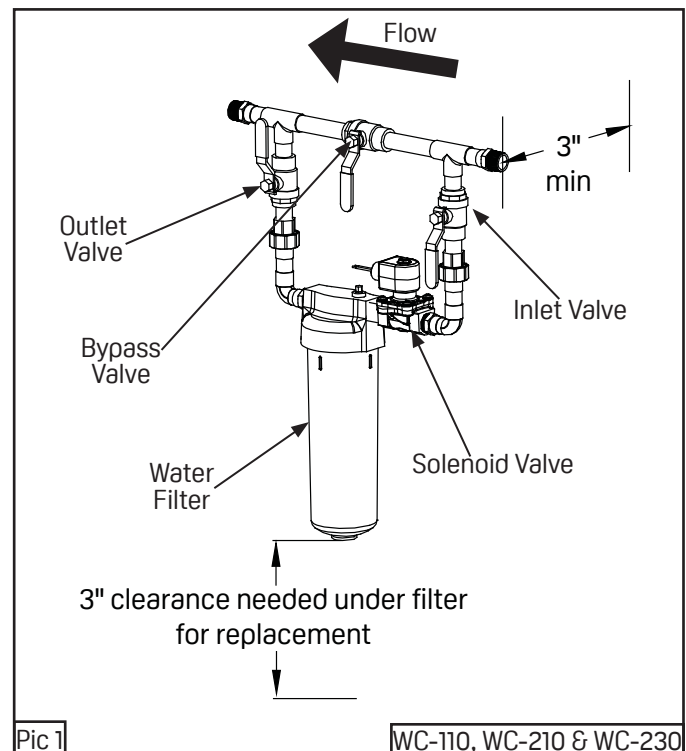
Model	WC-110	WC-210	WC-230	WC-300
Assembly	64622123	64622124	64622125	64622134



CAUTION

All RAMVAC® water control products must be installed by a certified plumber. Installation must be in accordance to local plumbing codes.

- The master water control valve should be connected to the main water supply for the suite (**Pic 1**).
- The valve solenoid should be wired to a 24V AC switch.
- Both the inlet and outlet valves should be opened and the bypass valve should be closed.
- When the power is switched on, water will be supplied to the suite.
- When power is switched off, the water supply is shut off.



NOTICE

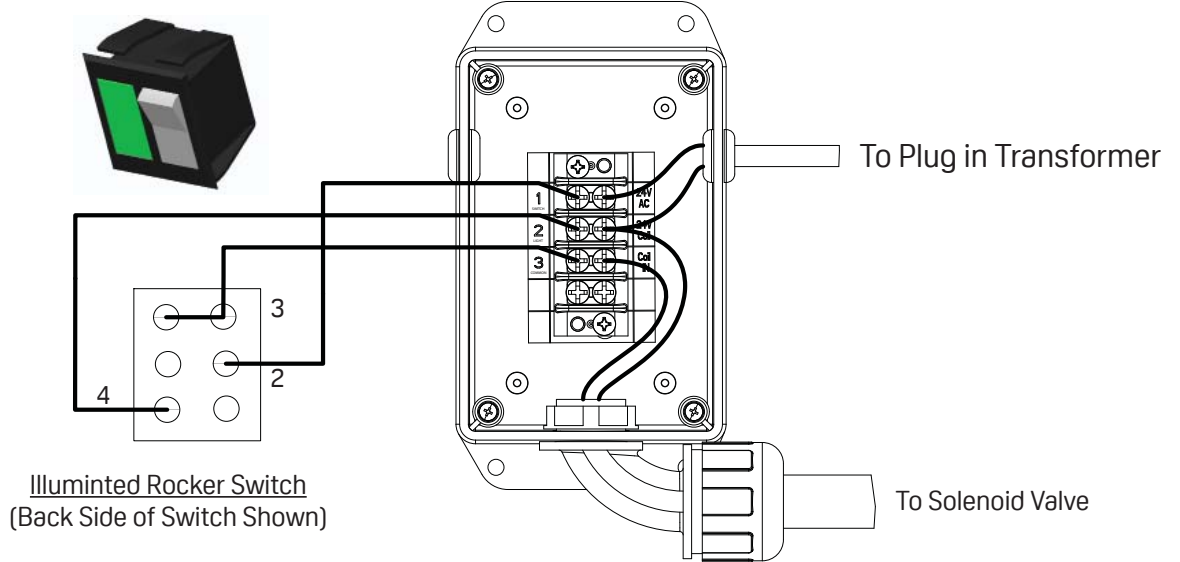
The flow direction can be reversed by removing the solenoid valve and water filter from the unions on the inlet and outlet valves. Rotate the solenoid valve and water filter 180 degrees and reinstall.

NOTICE

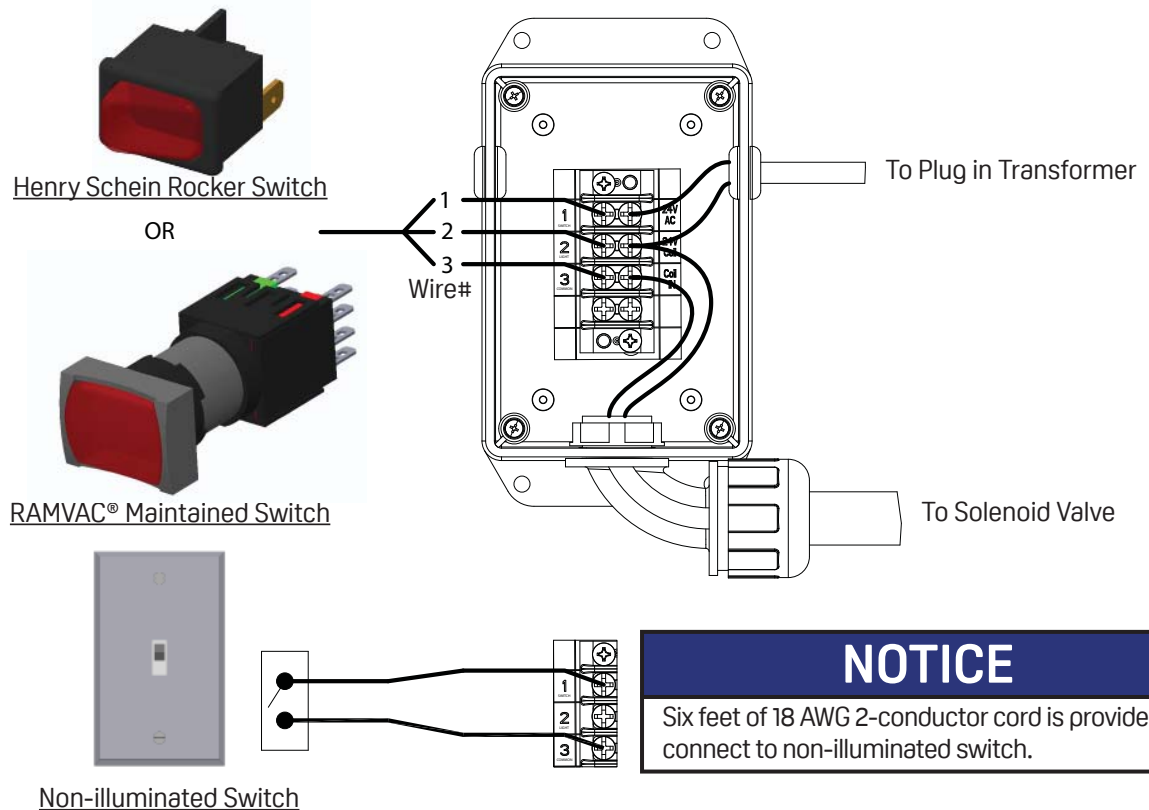
The plumber supplies all connection fittings.

Connecting RAMVAC® Master Water Control Valve to Remote Switches

Connecting to RAMVAC® Master Control Panel



Connecting to Remote Panel Switch



NOTICE

Six feet of 18 AWG 2-conductor cord is provided to connect to non-illuminated switch.

Pic 2

Water Filter

- The water filter protects dental units from the sediments and rust found in most water supply lines.
- The water filter prevents costly repairs to handpieces and syringes caused by water contamination.
- The water filter is available for 1/2", 3/4" and 1" pipe sizes.

Changing Water Filter Cartridge

1. Place the bypass valve in the **ON** position (Pic 3).
2. Place the inlet and outlet valves in the **OFF** position.
3. Push down on the pressure relief button.
4. Turn bowl counterclockwise to loosen and then remove.
5. Remove the old cartridge and install the new cartridge.



CAUTION

Be sure to align the holes in the cartridge with bowl and body fitting when reinstalling the bowl.

6. Replace the bowl and hand tighten.
7. Place the bypass valve in the **OFF** position and place the inlet and outlet valves in the **ON** position when finished.

NOTICE

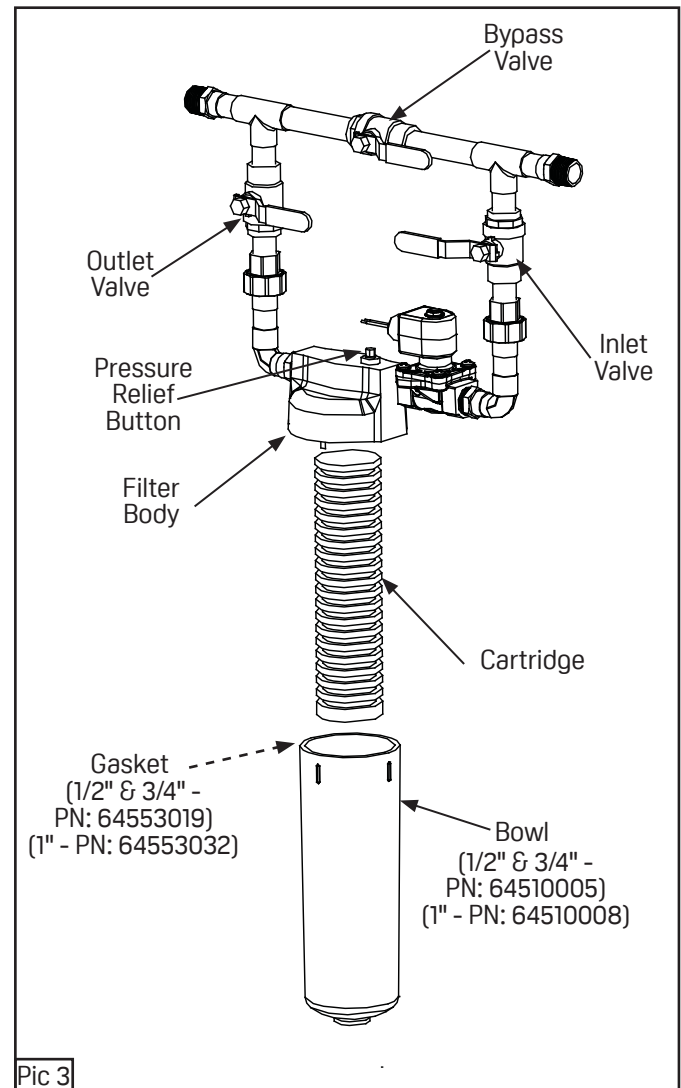
Dirt/rust filter cartridges can be ordered in sets of two:

- 1/2" and 3/4" pipe size - PN: 64520006
- 1" pipe size - PN: 64520012



CAUTION

Make sure the inlet and outlet valves are placed in the **OFF** position and the bypass valve is placed in the **ON** position before servicing the water filter.



Water Pressure Regulator

- The water pressure regulator conserves water, saves money and protects the water system, dental units and instruments from the damaging effects of high water pressure **(Pic 4)**.
- The water pressure regulator is supplied factory-set at 50 PSI and is adjustable from 25 to 75 PSI.
- The water pressure regulator is only available in 3/4" diameter pipe size.

Installing Water Pressure Regulator

1. Install the water pressure regulator on the outlet side of the water control valve.
2. Any connecting pipe needed must be supplied by the plumber.
3. If the water pressure drops below normal, check the screen filter for any debris **(Pic 5)**.

Mounting Bracket for WC-300

- The mounting bracket helps support the weight of the 1" master water control valve.
- Hardware included with mounting bracket intended for filter body to bracket assembly.
- Mounting bracket only provided for WC-300.

Installing WC-300 with Mounting Bracket

1. Install the mounting bracket to the wall before connecting plumbing **(Pic 6)**.
2. Hardware to mount bracket to wall supplied by plumber.

