

## Osprey Sound Cover



### WARNING

To prevent any chance of electrical shock, always disconnect power when indicated.



### CAUTION

Fans are thermostatically controlled and may start at any time. To avoid risk of contact with moving fan blades, never handle the sound cover (**Pic. 1**) while unit is plugged in.

### Electrical Requirements:

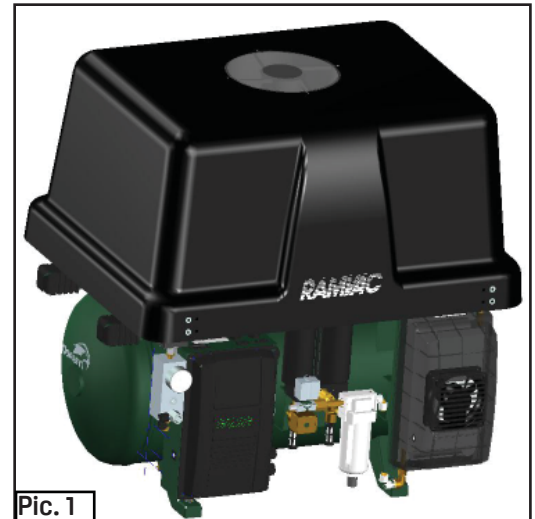
- Voltage: 100 to 125V AC (NEMA 5-15P Type Receptacle)
- Current: .25 Amp for Single Fan Model, .50 Amp for Dual Fan Model
- Frequency: 50/60 Hz

### Utility Room Space Requirements:

- Ensure at least one (1) foot minimum clearance around side of the compressor for proper airflow.
- A 1-½ foot clearance above sound cover is needed for ventilation and future removal if necessary.
- Overall height, width, and depth measurements are shown in **Pic 2.** and **Pic. 3.**

### Fresh Air Intake Kit Required:

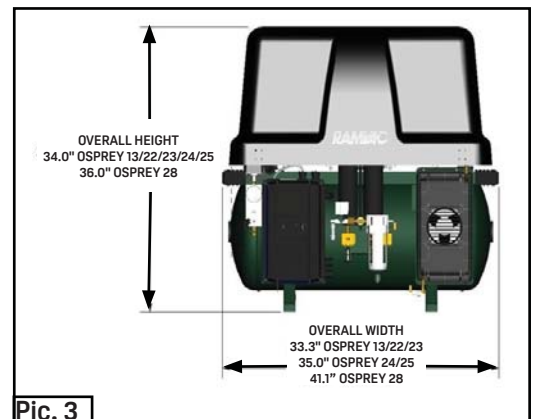
- A fresh air intake kit is included with this sound cover assembly and is **required** in order to maintain proper internal compressor temperatures. See installation instructions included with the kit. Failure to install the fresh air intake system will **void the manufacturer's warranty.**



Pic. 1



Pic. 2



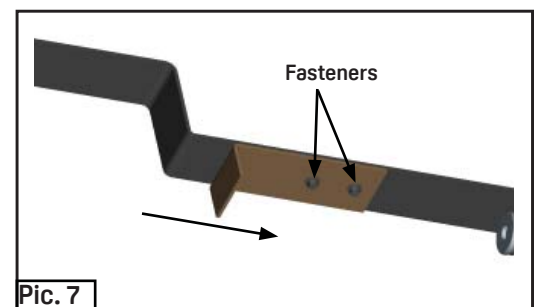
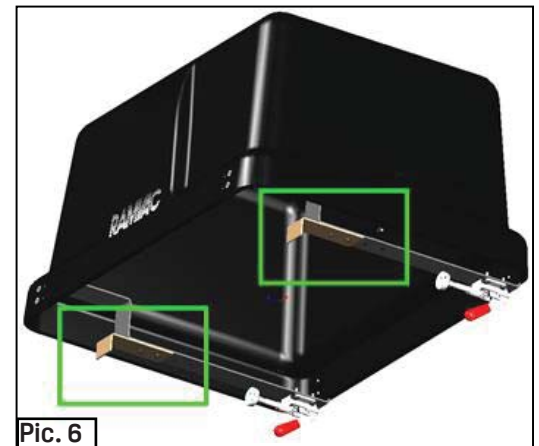
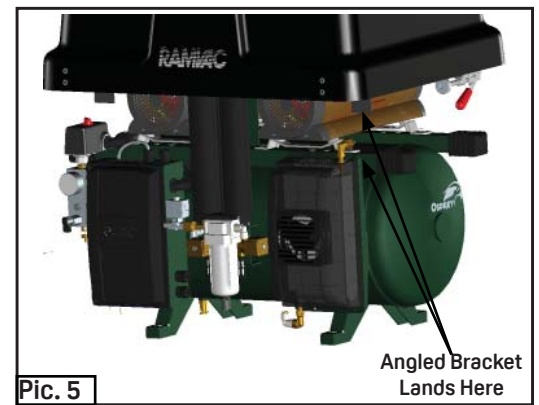
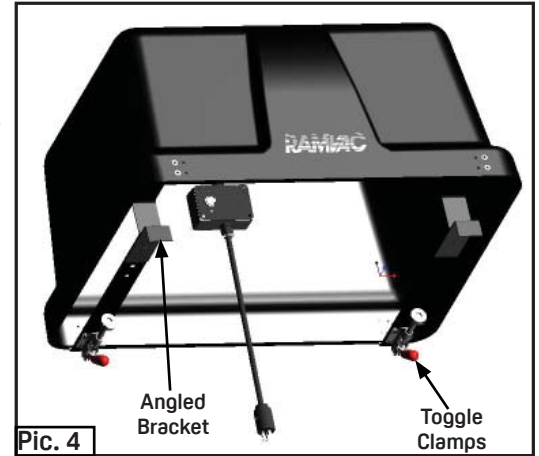
Pic. 3

## Sound Cover Installation

1. The sound cover mounts on the two rails located at the top of the receiver tank. It is secured to the back rail using two toggle clamps (**Pic. 4**).
2. The angle bracket at the front of the sound cover lands on the front rail.\*Osprey 24/25 is shown (**Pic. 5**). Bracket and rear clamps may land directly on rubber grips for other models.

## Osprey 22 Bracket Adjustment Required

1. The two angled brackets must be adjusted at installation for proper fit on the Osprey 22 model (**Pic. 6**).
2. Remove fasteners and reposition both brackets to the rear two mounting holes (**Pic. 7**).



3. Actuate the clamp so that it secures the entire assembly to the compressor (**Pic. 8**).
4. Adjust the clamp if necessary so that it engages tightly. Loosen the nut to adjust clamp stroke length (**Pic. 9**).
5. Plug in power cord, then cycle the unit to monitor for excessive noise or vibration.

