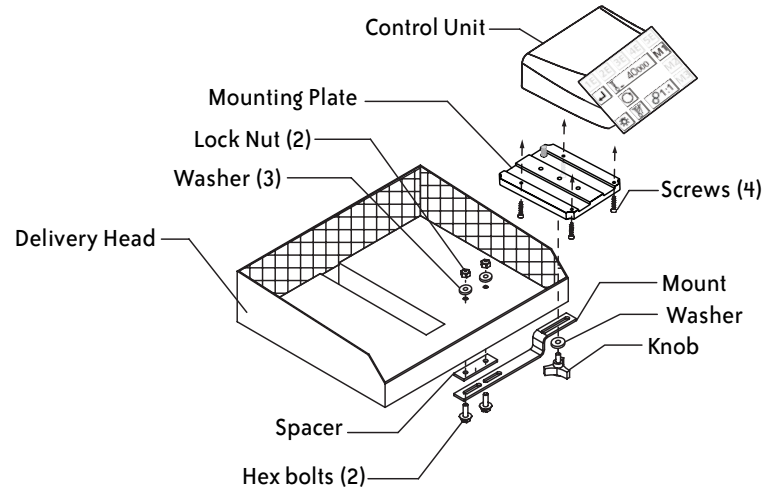


NuTorque™ Electric Control Unit Mounting Instructions StarDental® Instrument Solutions

Tools Required:

T-15 Torx Driver, 7/16" wrench, 3/8" wrench, 17/64" drill bit, power drill, and pencil.

NuTorque Electric Unit Mounting, **StarDental** Part# 264170, components:



1

1. Attach mounting plate to bottom of unit using the 4 screws. See FIG 1
2. Determine a suitable mounting location: front, back, left, or right. See FIG 2
3. Use the suggested mounting position or manually determine a location.
4. To use the suggested mounting location, see FIG 3. You may mount on the left or right.

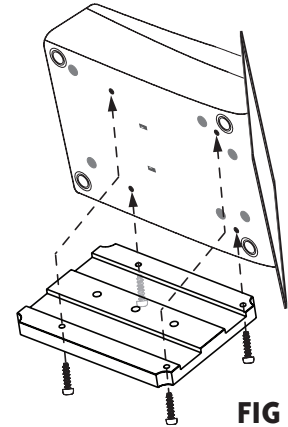


FIG 1

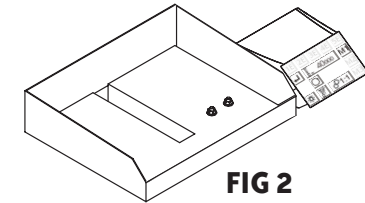


FIG 2

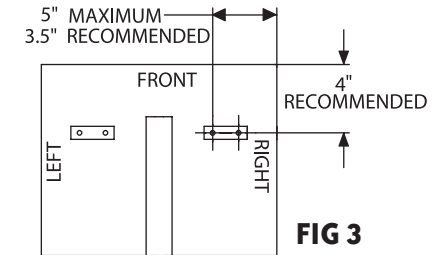


FIG 3

5. To manually determine a mounting location, assemble mount to control unit using knob and one of the three holes in the mounting plate, see FIG 4. Allow knob to remain loose so control unit is free to rotate.
6. Position control unit in desired location. Press mount flush against mounting surface. With a pencil, mark the underside of mounting surface at three edges, see FIG 4.
7. Loosen knob and remove control unit.
8. Align spacer with marks made from step 6. Ensure hole location won't interfere with internal components at mounting position. Use the 17/64" drill bit to drill two holes through mounting surface at spacer hole location.

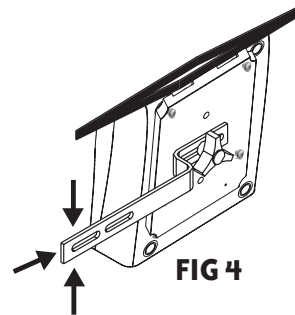


FIG 4

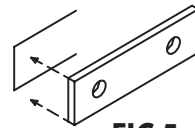


FIG 5

9. Place bolts through mount, spacer and bottom side of mounting surface, see FIG 6.
10. Secure mount using two washers and lock nuts, see components illustration in block 1.
11. Secure control unit to mount with knob and washer, see FIG 7.

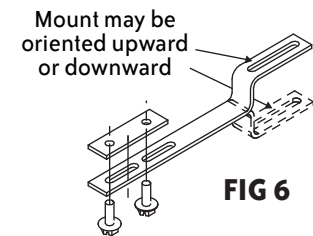


FIG 6

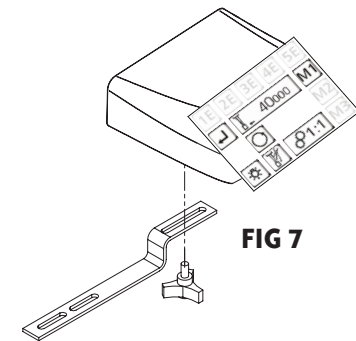


FIG 7

3

4