

# Wiring Dual Pumps to Remote Lighted Switch

## — NOTICE —

All wiring between the main control box and equipment should be **Class B, low-voltage**. *In most cases, a conduit is **not** required when using this type of wiring.*

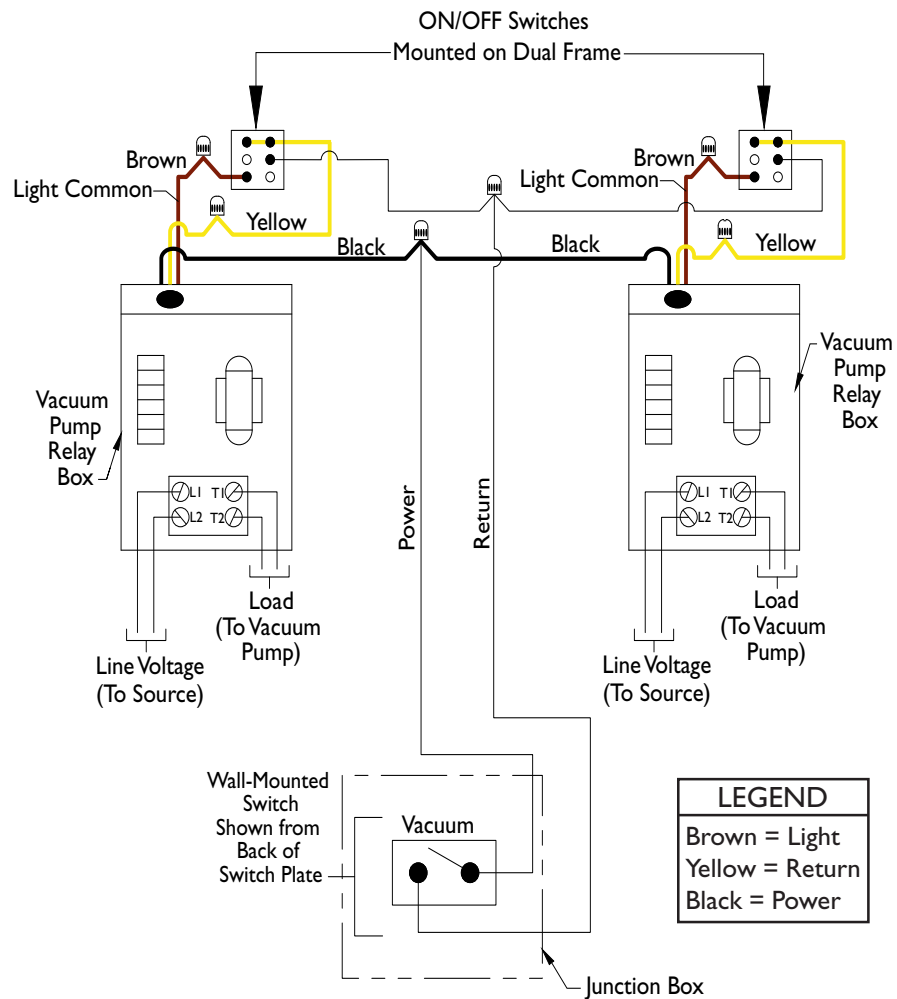
## — WARNING —

Before proceeding with any electrical installation, comply with and maintain all applicable local electrical code(s) and regulations.

### IMPORTANT

**NOTE:** *If not using a DentalEZ Master Control Panel Kit, proceed as follows:*

1. Position the master switch in the desired location.
2. Run the appropriate wires to their respective equipment location. (See wiring chart below.)
3. Connect wires according to the wiring diagram on the right.



## WIRING CHART

Model No.	No. of Wires	Wire Under 150 ft.	Wire Over 150 ft.
MC-201	6	18 AWG	16 AWG
MC-202	6	18 AWG	16 AWG