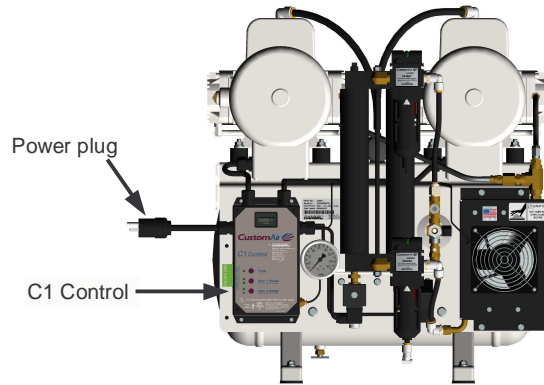
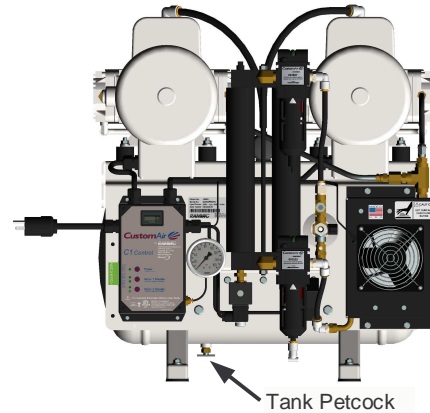


Desiccant Dryer Service Procedure

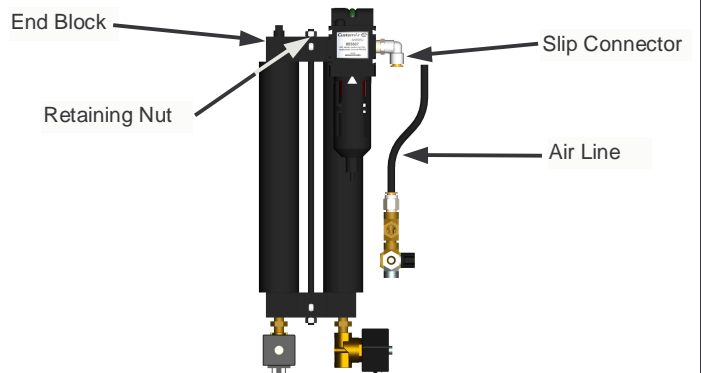
1. Push and hold the Power button on the C1 Control to turn the compressor off.
2. Remove the power plug from the outlet.



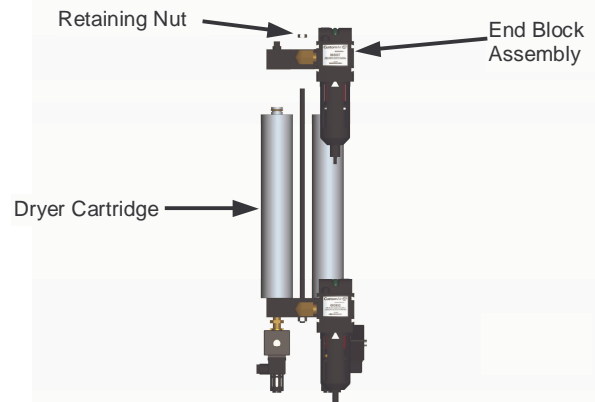
3. Carefully open tank petcock and bleed air from tank.



4. Disconnect air line from dryer top end block assembly. Pull slip connector up and pull line out.
5. Remove retaining nut from top of dryer top end block assembly.



6. Lift end block assembly off the dryer cartridges.

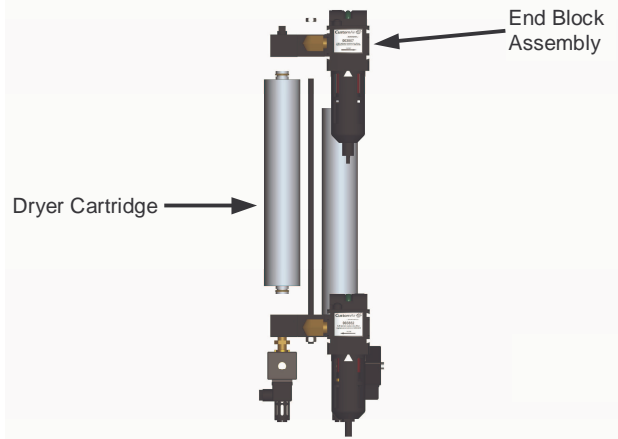


Desiccant Dryer Service Procedure

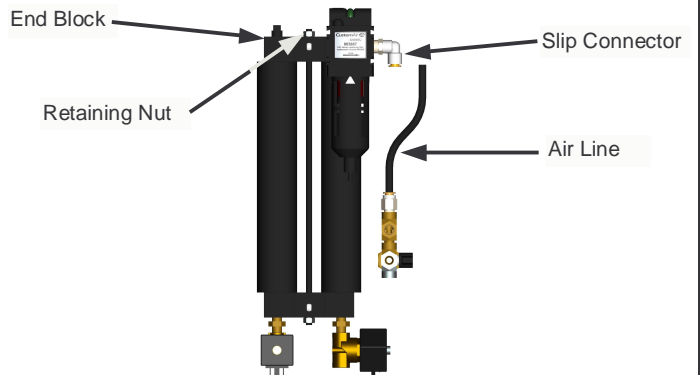
7. Lift dryer cartridges off and replace

Note: Verify the o-rings on the cartridge ends are in place before installing the cartridges.

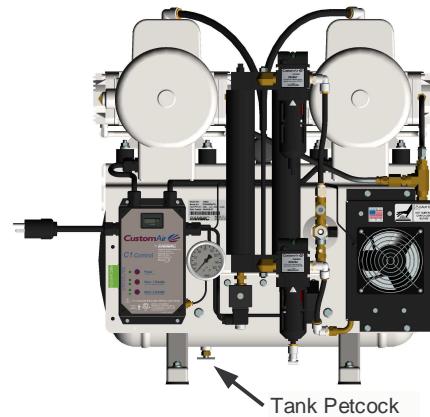
Note: Verify the end of the cartridge marked "T" is in the up position.



8. Re-install end block with retaining nut. Connect the air line to end block.



9. Close tank petcock.



10. Plug in power plug into outlet. Push and hold the Power button on the C1 Control to turn the compressor on.

