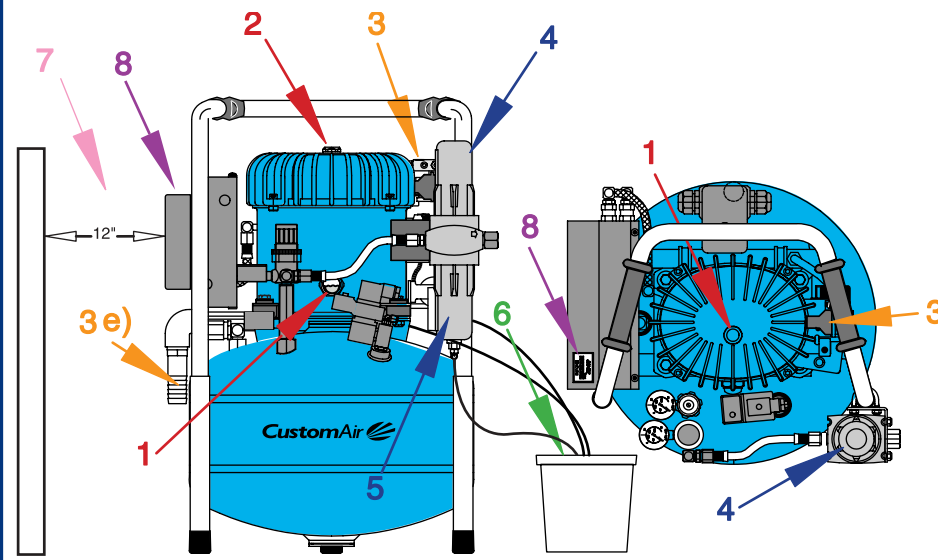
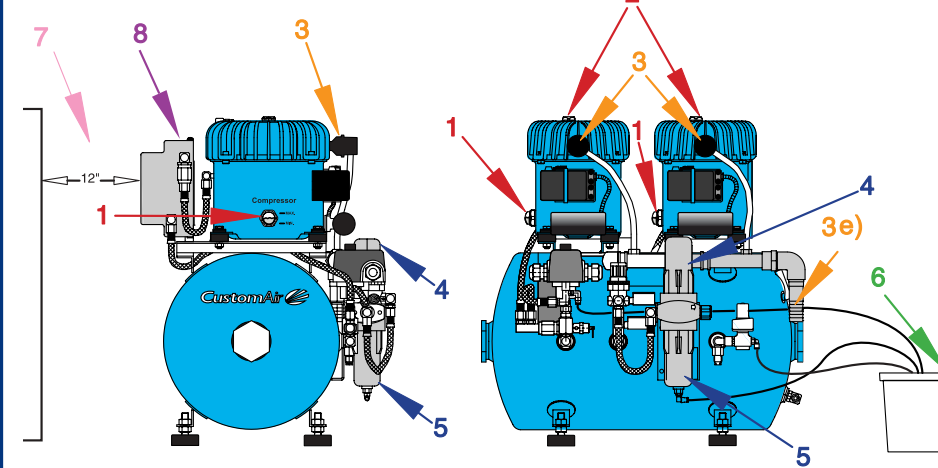


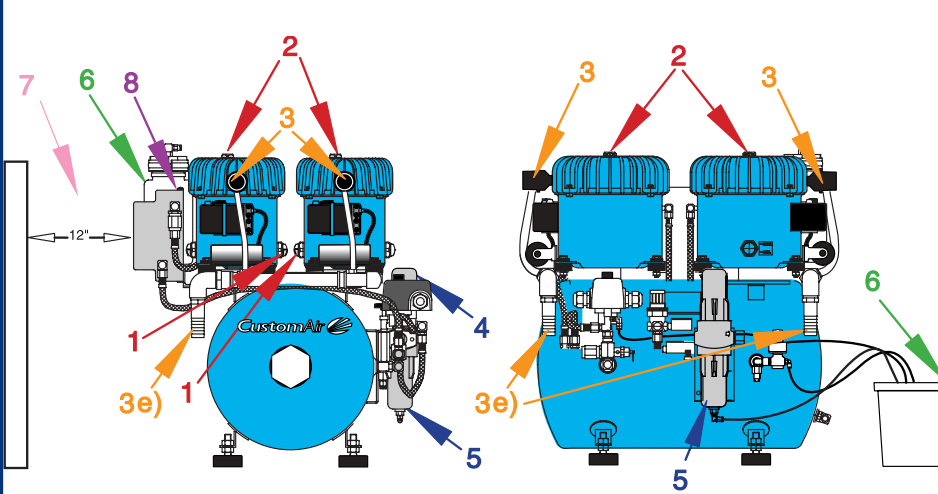
CA-711/CA-721



CA-713/CA-723



CA-725



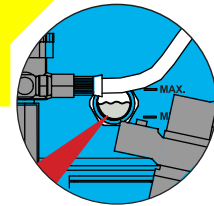
1

Checking Oil Level

The oil-lubricated compressor is very easy to operate and maintain. To prevent overheating observe the following instructions, and the compressor will provide clean, high-quality air.

Checking Oil Level(s)

- Check the oil level twice a month
 - When cool the correct level is between the maximum and minimum indications.
 - Ensure oil in glass is visible.
- If there is a need for oil follow Step 2.



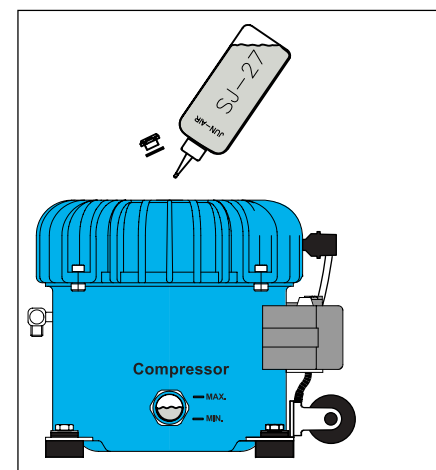
2

Adding Oil to Compressor

You will need a wrench to remove the oil plug.

— CAUTION —

Always use SJ-27 (P/N JA 64651-004) oil to avoid serious mechanical damage to the compressor. The warranty only applies if SJ-27 oil is used.



NOTE: For models with several motors, follow the same procedure.

3

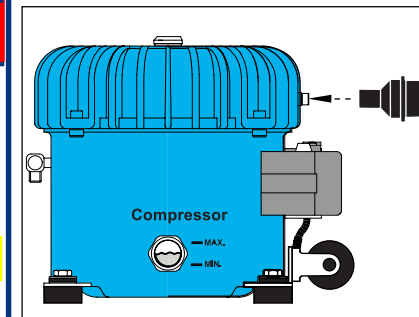
Changing Intake Air Filter(s)

Replacing Intake Filter (P/N JA 5412210)

NOTE: Replace intake filter every 500 hours or yearly.

The intake provides clean free flowing air to the compressor head. A dirty filter can block the flow of air and cause the compressor to overheat and use excessive oil.

- Turn OFF the compressor at the main switch and pull out the electrical plug.
- Remove the intake filter from the air intake tube on the rib cover.



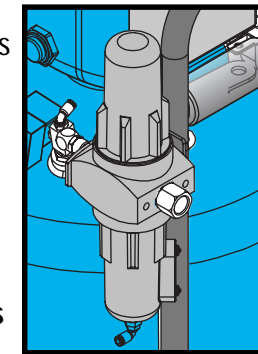
Model CA-711 has 1 intake filter
 Model CA-721 has 1 intake filter
 Model CA-713 has 2 intake filters
 Model CA-723 has 2 intake filters
 Model CA-725 has 4 intake filters

- Press the new intake filter onto the air intake tube.
- Reinstall the tube to the remote air intake manifold.
- Verify Air intake is free flowing and plumbed to climate controlled temperature
- Connect electrical plug and turn ON compressor

4 & 5

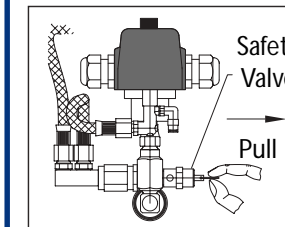
Changing the Pure Air Filter Replacing the Combination filters, Coalescing (P/N JA 64800-214) and Carbon (P/N JA 64800-213) keeps the unit free of condensation.

The Pure Air Filter provides odorless air, and filters handpiece destroying particulates to 0.01 microns. Changing the filter elements once per year or every 500 hours will maintain this quality of air.



NOTE: Replace filters every 500 hours or yearly.

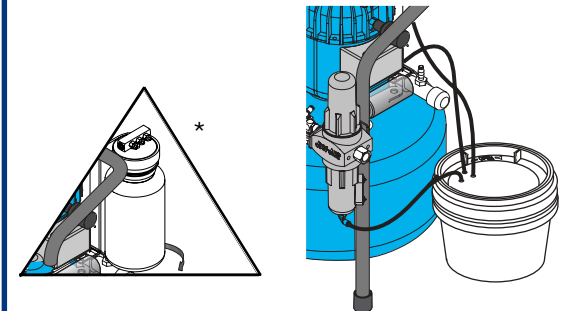
- Turn OFF the compressor at the main switch and pull out the electrical plug.
 - Pull the safety valve ring.
- Caution: A very loud burst of air should be heard.



- Remove the hose from the coalescing filter cover elbow quick connect fitting.
- Unscrew carbon filter cover by turning it counterclockwise.
- Unscrew activated carbon filter by turning it counterclockwise.
- Replace with new filters.
- Reinstall covers and connect hose.

6

Empty Collection Bottle Empty Collection Bottle periodically.



- If equipped with Collection Bottle* or Collection Bucket unscrew it by turning counterclockwise.
- Dispose Collection Bottle's contents in accordance with state law.
- Reinstall Collection Bucket (P/N 64510012) or run tubes directly to floor drain using 10 ft. Hose Set (P/N 64618075).

7

Our exclusive "Fan Cooled Radiator" and "Head Cooling Fans" help the compressor run more efficiently and provide better air quality by minimizing moisture in airlines. The compressor must be installed providing a minimum of 12 inches of clearance for the fan to operate properly.

8

Air Leakage Schedule

All CustomAir® Compressors use Hour Meter for Maintenance Schedule and to check for possible leaks. The average work per month is 40 hours for the 700 Series compressors.

For new products, manuals and technical information call 1-866-DTE-INFO or visit our web site @ www.dentalez.com

