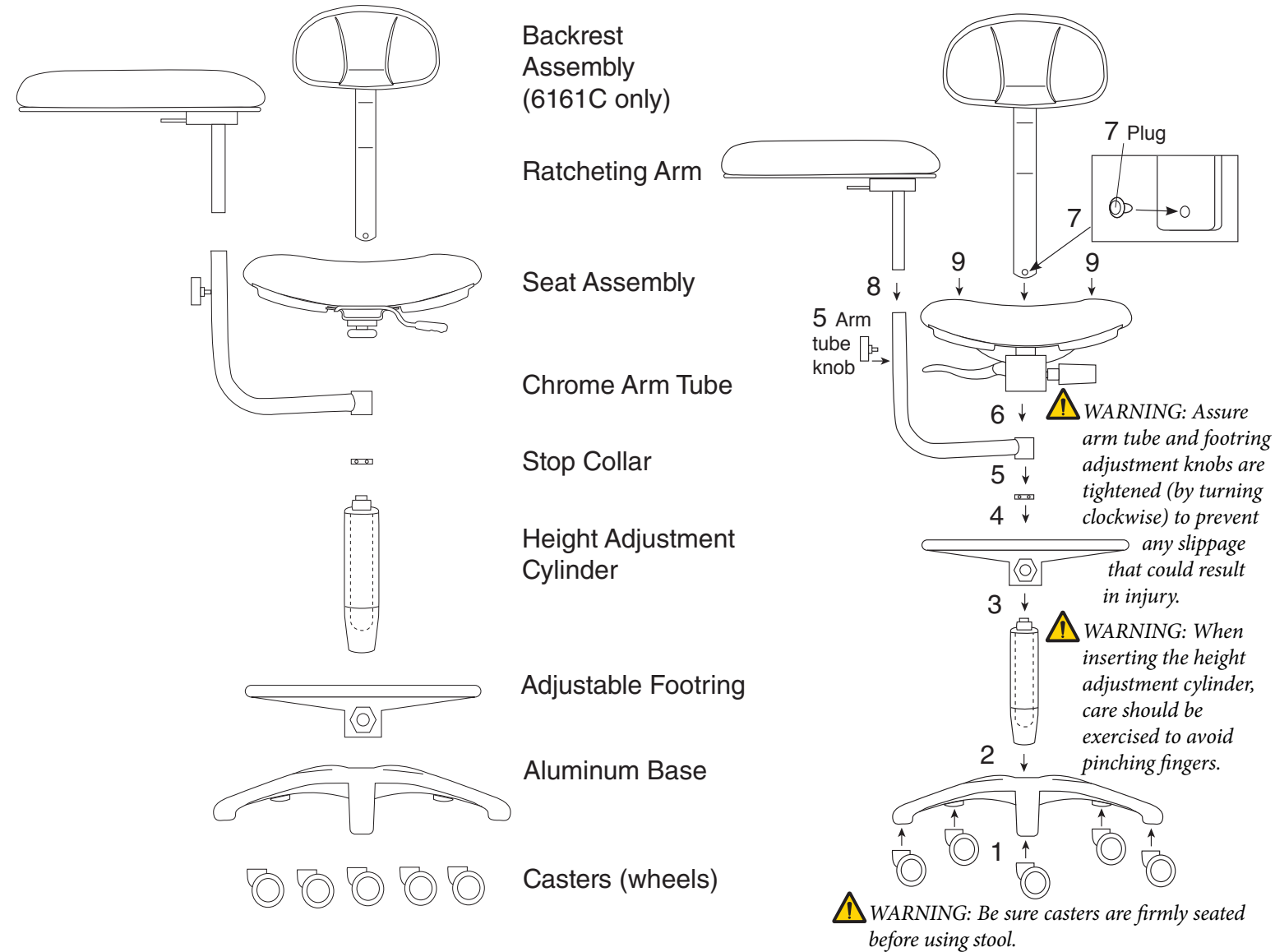


6160C/6161C Assistant's Deluxe Stool

1. Insert casters (wheels) into base. Apply a significant amount of pressure to ensure casters are seated properly.
2. Insert height adjustment cylinder into base.
3. Slide adjustable footring over height adjustment cylinder and tighten footring knob to secure in place.
4. Sit stop collar on top of height adjustment cylinder and tighten set screws.
5. Slide chrome arm tube on top of height adjustment cylinder until firmly seated.
6. Place the seat assembly on top of height adjustment cylinder.
7. Remove plug and insert back assembly into seat assembly. Replace plug after installation (6161C only).
8. Slide ratcheting arm into arm tube. Firmly tighten arm tube knob clockwise to secure arm in place.
9. Sit on stool to permanently lock cylinder into base and seat. At this time, the piston in the height adjustment cylinder may be engaged by activating the seat height lever to adjust seat location.



Forest Dental Equipment

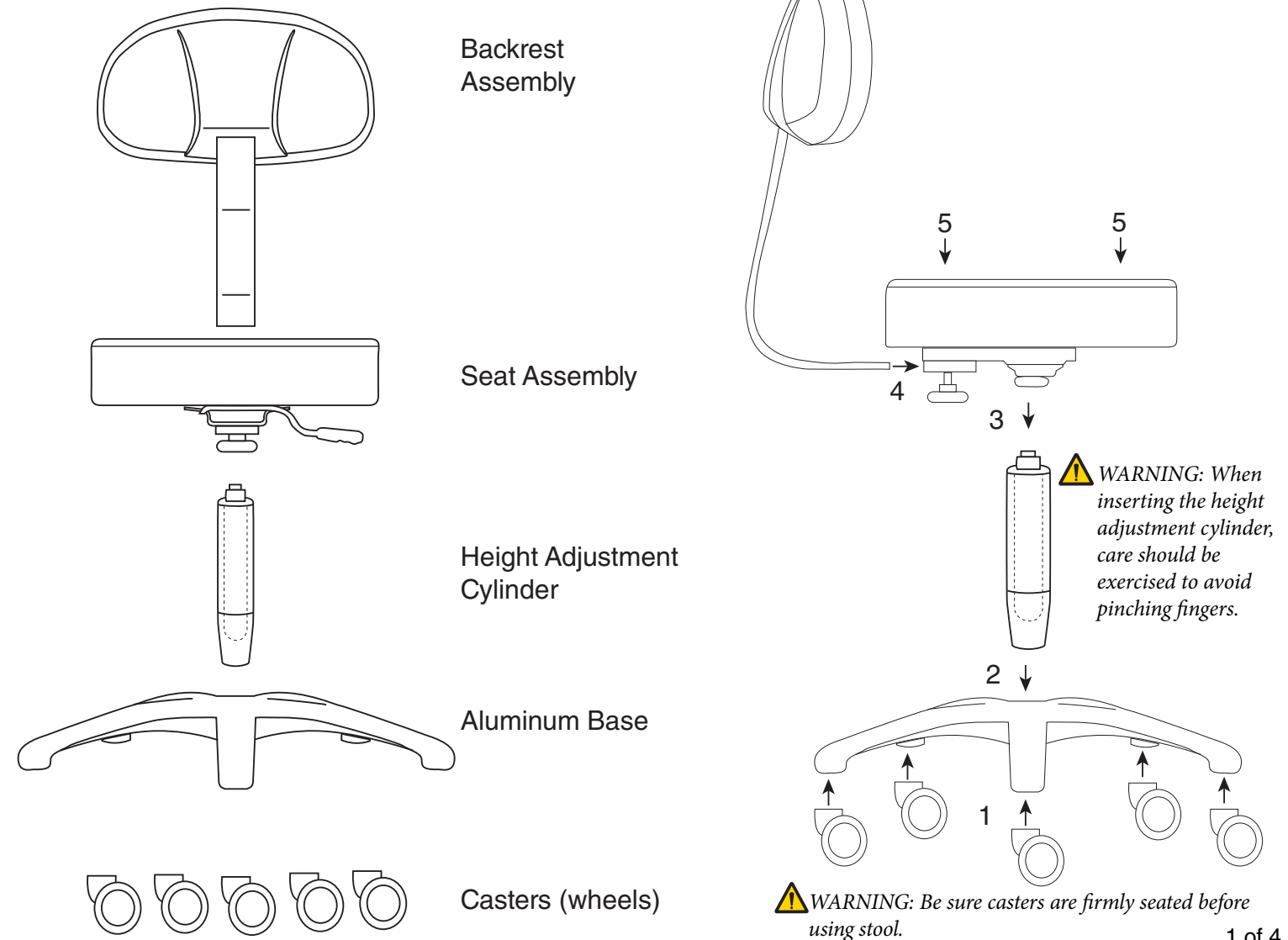
DentalEZ[®] INTEGRATED SOLUTIONS

Alert Symbols The safety notices associated with the following should be given special attention when they appear in maintenance, operating and emergency procedures in the guide.

- ⚠ CAUTION indicates that a particular procedure or precaution must be followed to avoid system irregularity or possible damage to the product.
- ℹ NOTE indicates special information to improve the ease of maintaining the product, or to clarify important information.
- ⚠ WARNING indicates that the personal safety of the patient, end user or technician could be compromised by disregarding the WARNING. Not following instructions may result in an injury.
- ⚠ WARNING: Only engage piston inside the height adjustment cylinder after the stool is assembled. Activating the piston prior to installation may cause injury.
- ℹ NOTE: Installation Verification: Refer to Operator's Guide or Service Manual on our website at Forestdental.com; perform all operations. If operations performing as intended installation complete. If operations not performing as intended, review steps in installation instructions to confirm correct installation or call Forest Technical Support at 800-423-3555.

6156C Doctor's Economy Stool

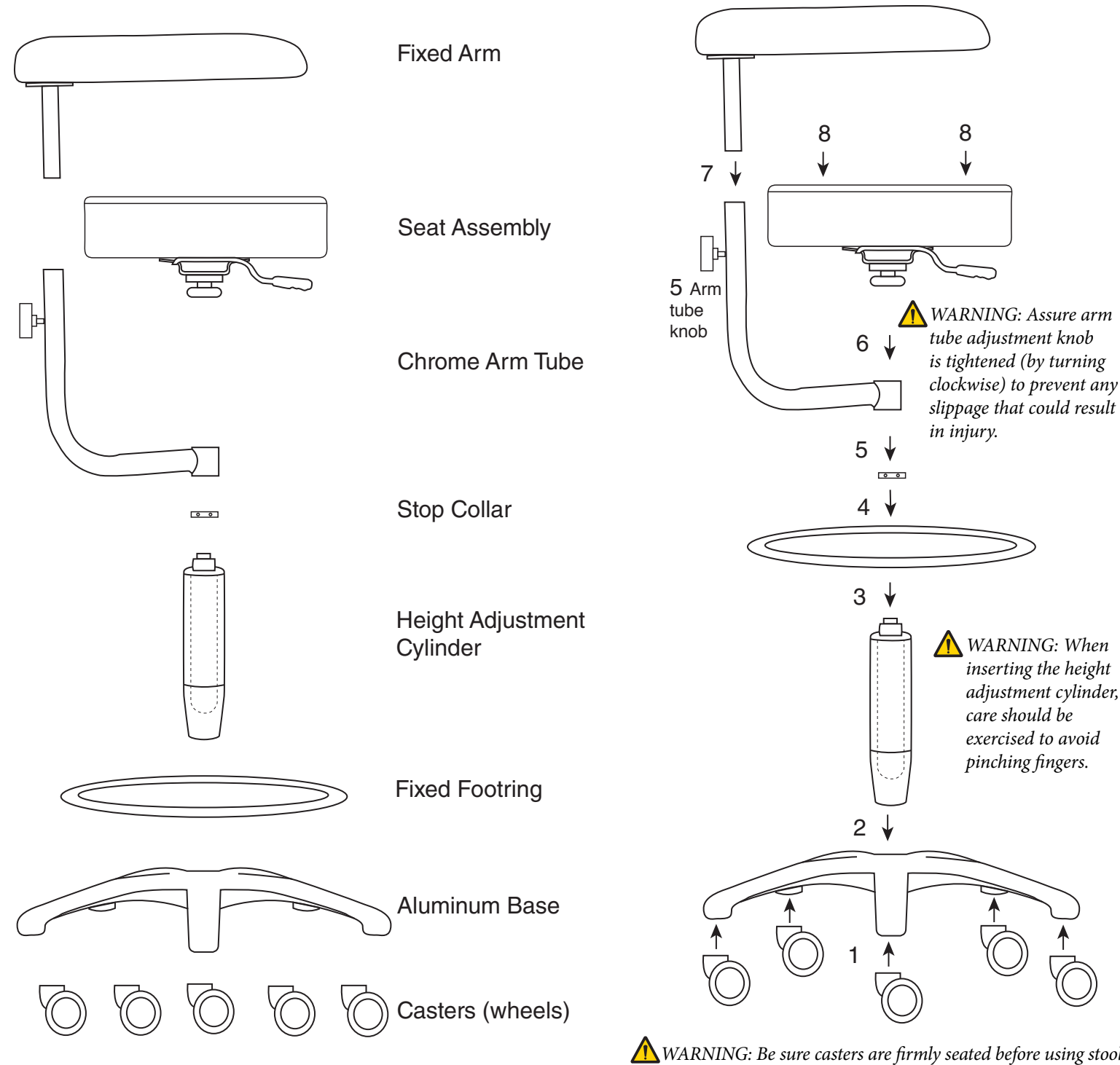
1. Insert casters (wheels) into base. Apply a significant amount of pressure to ensure casters are seated properly.
2. Insert height adjustment cylinder into aluminum base.
3. Place the seat assembly on top of height adjustment cylinder.
4. Insert back assembly into mechanism under the seat and tighten knob securely turning clockwise.
5. Sit on stool to permanently lock cylinder into base and seat. At this time, the piston in the height adjustment cylinder may be engaged by activating the seat height lever to adjust seat location.



Deluxe and Economy Stool Installation Instruction

6157C Assistant's Economy Stool

1. Insert casters (wheels) into base. Apply a significant amount of pressure to ensure casters are seated properly.
2. Insert height adjustment cylinder into base.
3. Slide footring over height adjustment cylinder.
4. Sit stop collar on top of height adjustment cylinder and tighten set screws.
5. Slide chrome arm tube on top of height adjustment cylinder until firmly seated.
6. Place the seat assembly on top of height adjustment cylinder.
7. Slide fixed arm into arm tube. Firmly tighten arm tube knob clockwise to secure arm in place.
8. Sit on stool to permanently lock cylinder into base and seat. At this time, the piston in the height adjustment cylinder may be engaged by activating the seat height lever to adjust seat location.



6159C Operator's Deluxe Stool

1. Insert casters (wheels) into base. Apply a significant amount of pressure to ensure casters are seated properly.
2. Insert height adjustment cylinder into base.
3. Place the seat assembly on top of height adjustment cylinder.
4. Remove plug and insert back assembly into seat assembly. Replace plug after installation.
5. Sit on stool to permanently lock cylinder into base and seat. At this time, the piston in the height adjustment cylinder may be engaged by activating the seat height lever to adjust seat location.

