

**Alert Symbols** The safety notices associated with the following should be given special attention when they appear in maintenance, operating and emergency procedures in the guide.

**⚠ CAUTION** indicates that a particular procedure or precaution must be followed to avoid system irregularity or possible damage to the product.

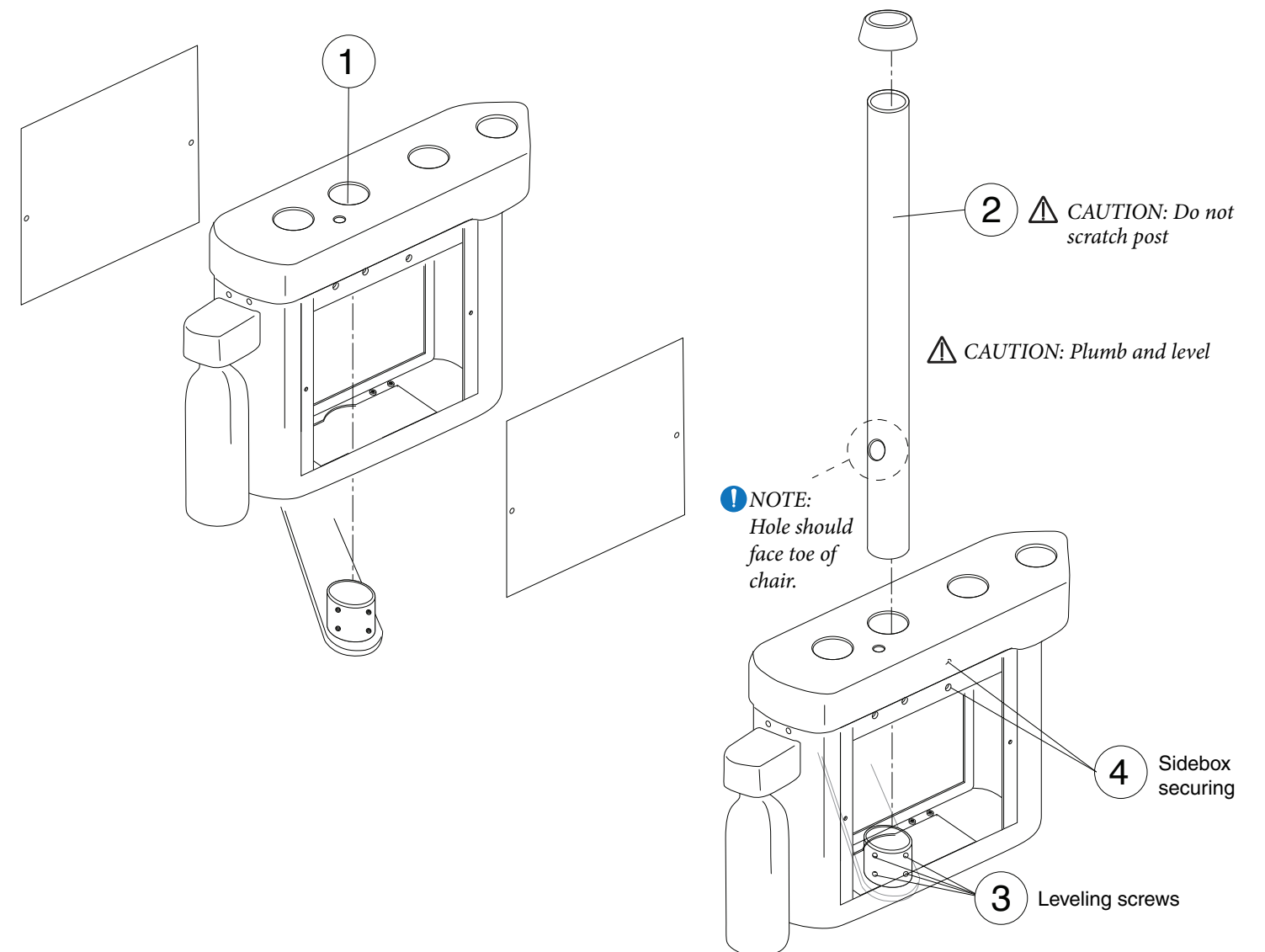
**! NOTE** indicates special information to improve the ease of maintaining the product, or to clarify important information.

**⚠ WARNING** indicates that the personal safety of the patient, end user or technician could be compromised by disregarding the WARNING. Not following instructions may result in an injury.

**⚠ CAUTION:** Field modifications that alter the electrical and/or mechanical safety of Forest products conflict with agency construction file requirements and are not sanctioned by Forest.

**! NOTE:** Installation Verification: Refer to Operator's Guide or Service Manual on our website at [Forestdental.com](http://Forestdental.com); perform all operations. If operations performing as intended installation complete. If operations not performing as intended, review steps in installation instructions to confirm correct installation or call Forest Technical Support at 800-423-3555.

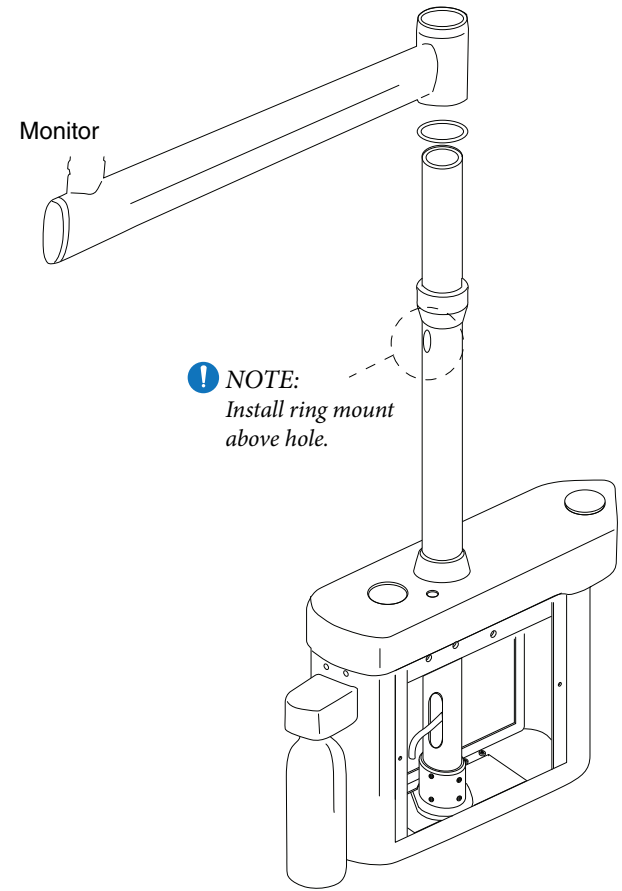
Tools Required: 5/32", 3/16", 1/8", 5/16" Allen Wrench and Bubble Level.



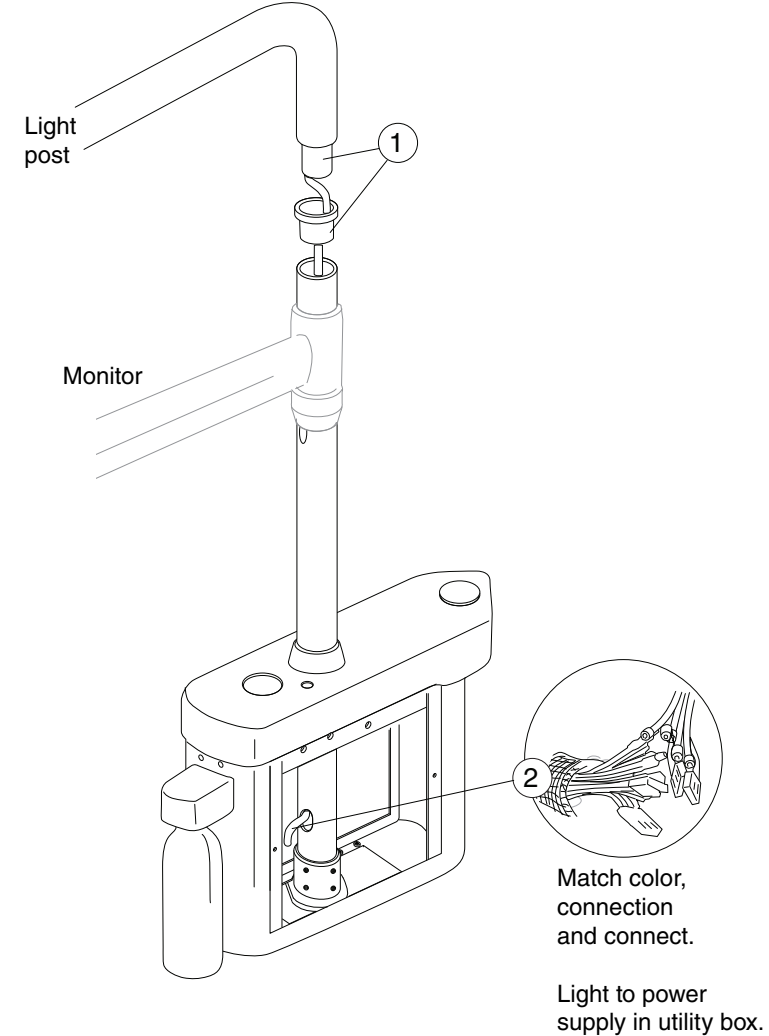
1. Place sidebox on adapter over hub.

2. Insert post thru sidebox into leveling hub.

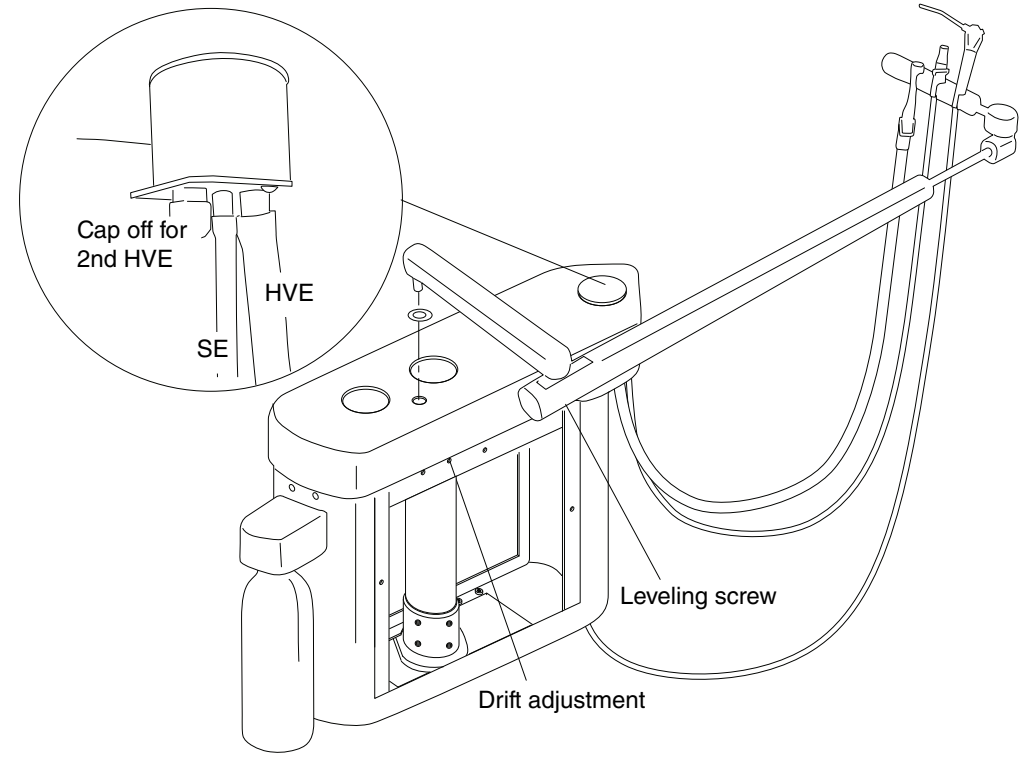
Monitor



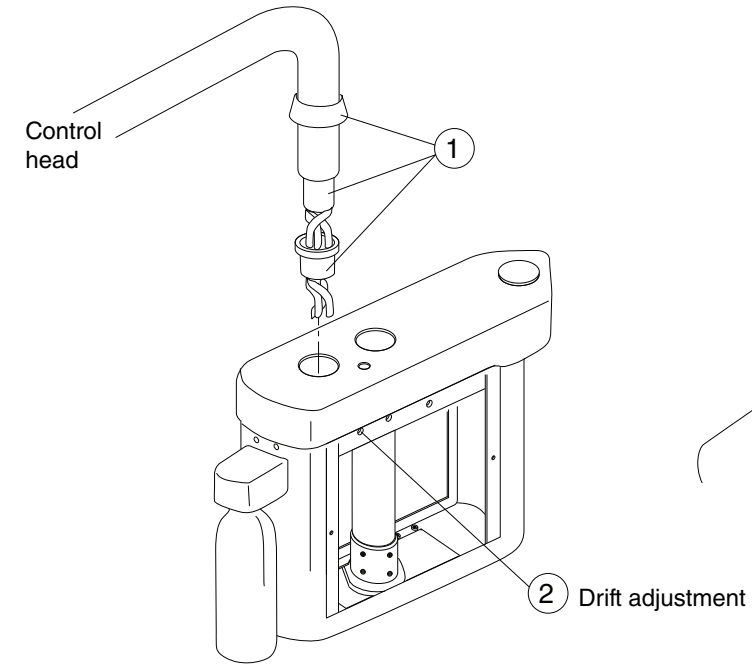
Light



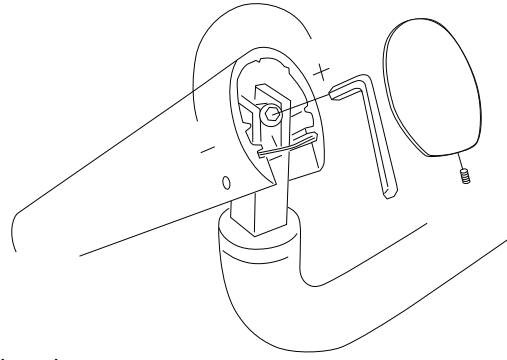
Assistant's Telescoping Arm



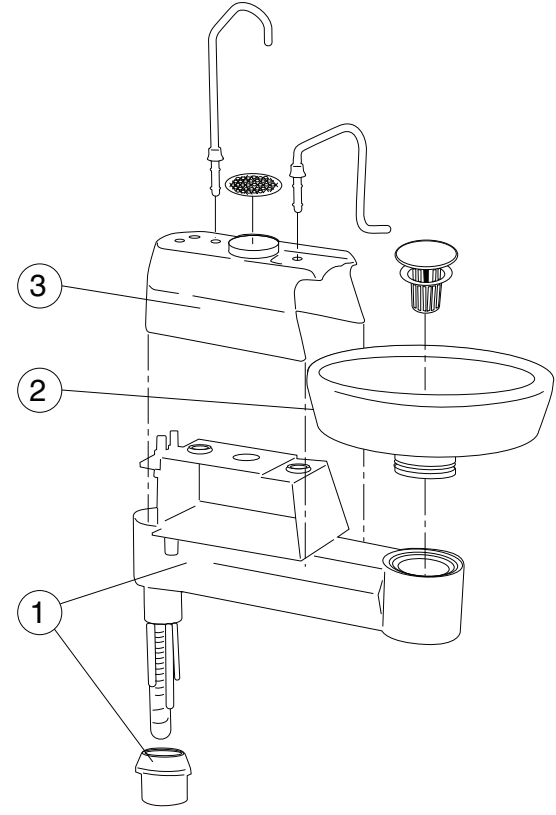
Control Head



Flex Arm Tension Adjustment



Basic Cuspidor



Deluxe Cuspidor

