

**Master Water Control Valve, (24 VAC)**

WC - 110 (1/2" pipe); WC - 210/230 (3/4" pipe); WC - 300 (1" pipe)

The RAMVAC<sup>®</sup> master water control valve makes it easy to shut off the water supply to the suite and safeguard against leaks from any equipment. Simply flip the switch to "OFF" when closing down for the night. The master water control valve can be wired to any standard 24 VAC control signal from a compressor/vacuum pump or with a separately supplied switch using the 24 VAC transformer provided. For use on new or existing installations, the valve is available in 1/2" 3/4" and 1" diameter outlet pipe sizes.

**NOTICE**

Master Water Control System not designed for use in water with high mineral content. DentalEZ recommends a water softening treatment if high mineral water content is present to prolong life of product.

**Specifications**

Model	WC-110	WC-210	WC-230	WC-300
Pipe size	1/2"	3/4"	3/4"	1"
Height	19-1/2"	20"	20"	10-1/2"
Width	14-1/2"	13"	13"	15-1/2"

**Replacement Part Numbers**

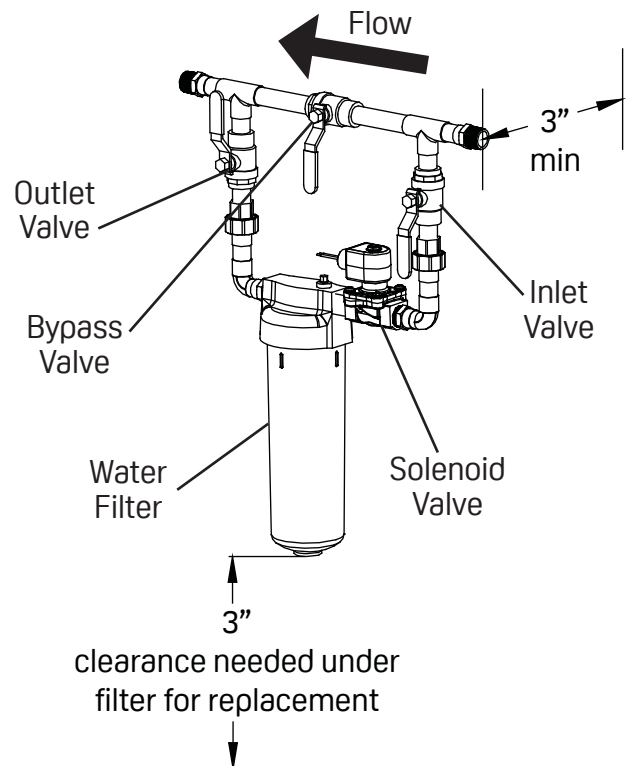
Model	WC-110	WC-210	WC-230	WC-300
Assembly	64622123	64622124	64622125	64622134



**CAUTION**

All RAMVAC water control products must be installed by a certified plumber according to local plumbing codes.

- The master water control valve should be connected to the main water supply for the suite.
- The valve solenoid should be wired to a 24 VAC switch.
- Both the inlet and outlet valves should be opened and the bypass valve should be closed.
- When the power is switched on, water will be supplied to the suite.
- When power is switched off, the water supply is shut off.



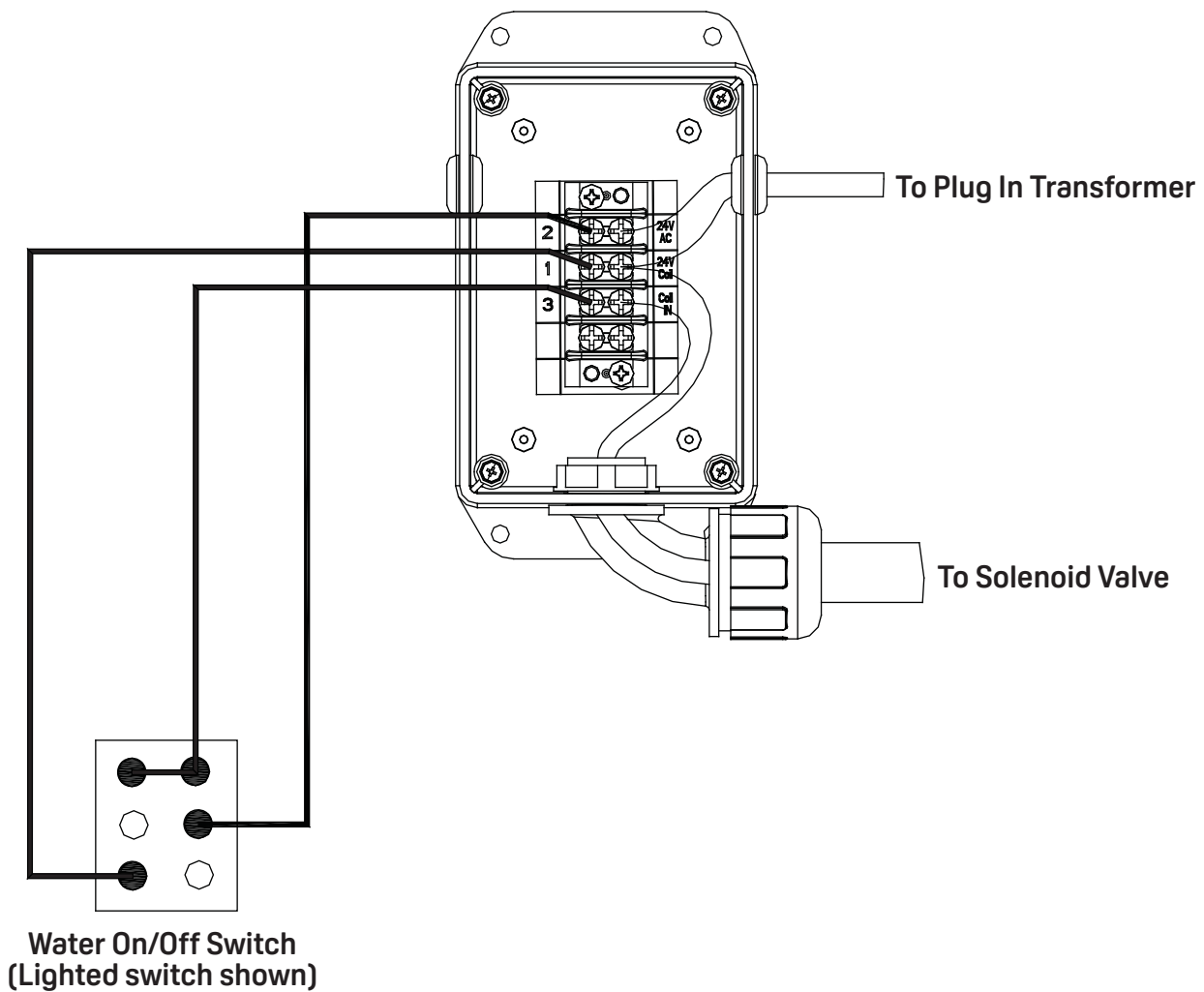
## NOTICE

The flow direction can be reversed by removing the solenoid valve and water filter from the unions on the inlet and outlet valves. Rotate the solenoid valve and water filter 180 degrees and reinstall.

## NOTICE

The plumber supplies all connection fittings.

### Connecting to RAMVAC Master Control Panel



### Water Filter

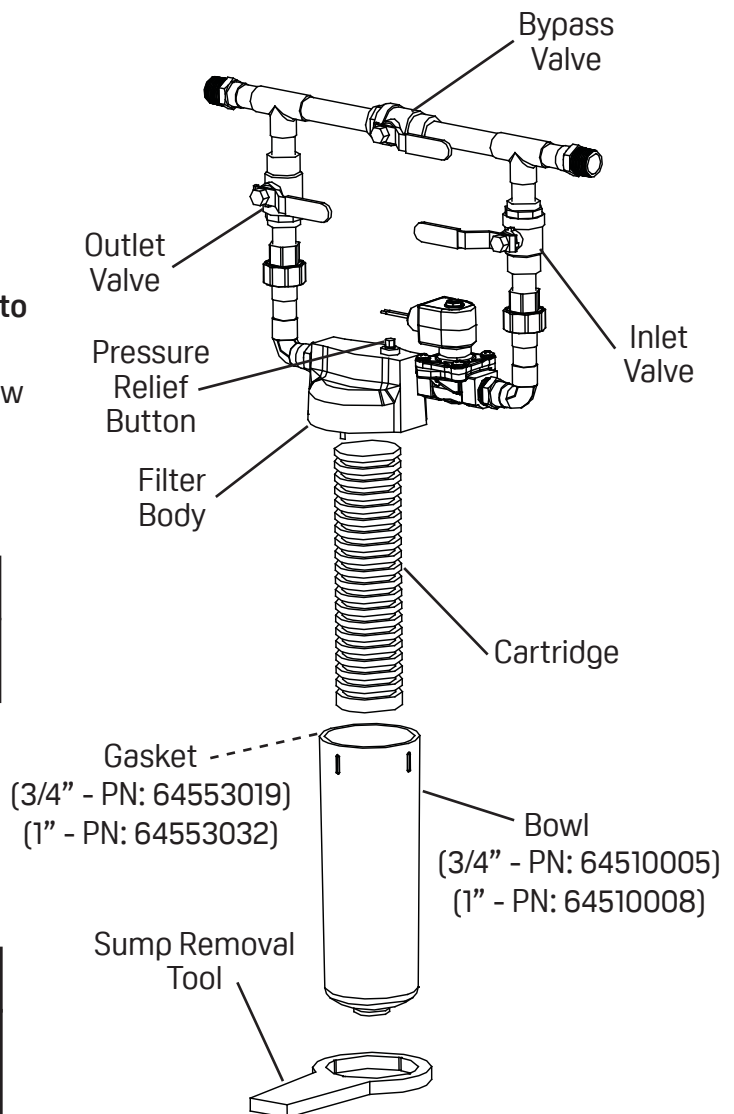
- The water filter protects dental units from the sediments and rust found in most water supply lines.
- The water filter prevents costly repairs to handpieces and syringes caused by water contamination.
- The water filter is available for 1/2", 3/4" and 1" pipe sizes.

### Changing Water Filter Cartridge

1. Place the bypass valve in the **ON** position.
2. Place the inlet and outlet valves in the **OFF** position.
3. Push down on the pressure relief button.
4. Using the provided sump removal tool, remove the bowl. **(Turn counterclockwise to loosen.)**
5. Remove the old cartridge and install the new cartridge.
6. Replace the bowl and hand tighten.

**CAUTION**

Make sure the inlet and outlet valves are placed in the **OFF** position and the bypass valve is placed in the **ON** position before servicing the water filter.



**CAUTION**

Be sure to align the holes in the cartridge with bowl and body fitting when reinstalling the bowl.

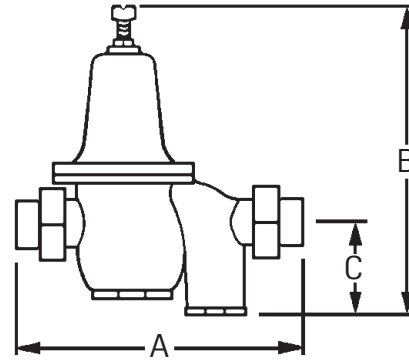
7. Place the bypass valve in the **OFF** position and place the inlet and outlet valves in the **ON** position when finished.

**NOTICE**

Dust/rust filter cartridges can be ordered in sets of two:  
 1/2" & 3/4" Pipe size - PN: 64520006  
 1" Pipe size - PN: 64520012

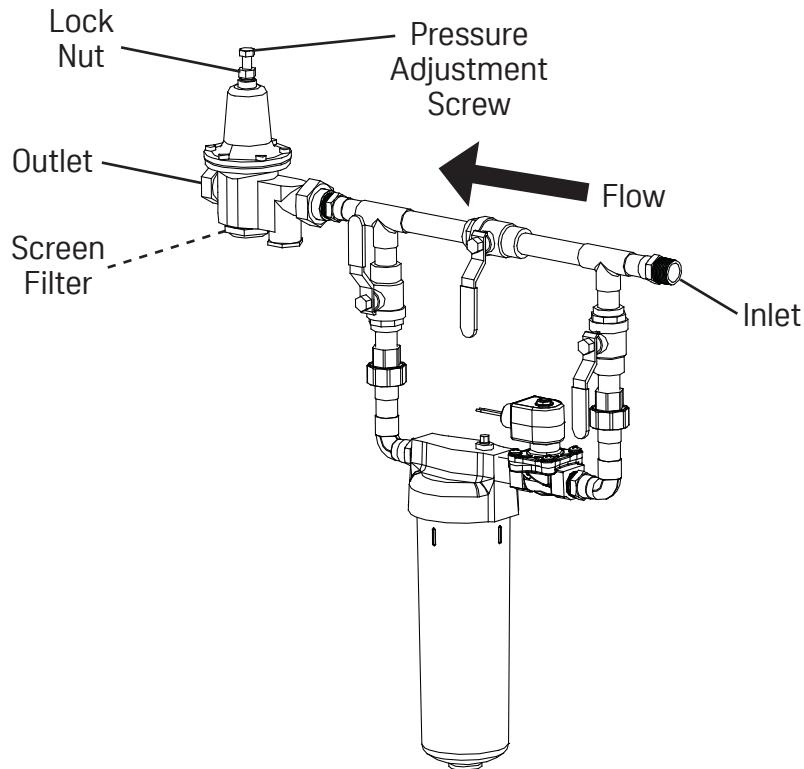
## Water Pressure Regulator

- The water pressure regulator conserves water, saves money and protects the water system, dental units and instruments from the damaging effects of high water pressure.
- The water pressure regulators are supplied factory-set at 50 PSI and are adjustable from 25-75 PSI.



Regulator Dimensions			
Pipe Size	A	B	C
1/2"	5-1/2"	7"	1-3/4"
3/4"	6-1/2"	7-1/2"	2"
1"	6-3/4"	8"	2"

## Installing Water Pressure Regulator



1. Install the water pressure regulator on the outlet side of the water control valve.
2. Any connecting pipe needed must be supplied by the plumber.
3. If the water pressure drops below normal, check the screen filter for any debris.